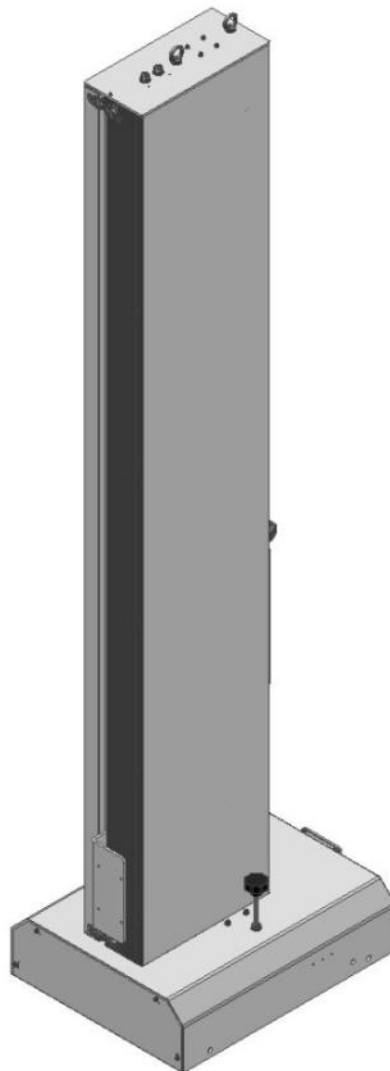


Reciprocator HF30 / HF80

Customer Product Manual 7179770_02
Released 07/2013



Nordson Deutschland GmbH – Erkrath - Germany



All copy rights of this manual are reserved to **Nordson**.
The text and the numbering system can not be used in any
other form without written permission from **Nordson**.

NOTE: descriptions and illustrations in this publication are
simplified.

For eventual technical reasons **Nordson** reserves the right
to modify their product data or features without any prior
notice.



TITLE OF THE DOCUMENT : OPERATING AND MAINTENANCE MANUAL	NO.:
	RELEASE NO.:

CUSTOMER :	JOB ORDER NO.:
SERIAL NO.:	DATE :

REL. NO.	DATE	DESCRIPTION

Prepared	Controlled	Approved	
----------	------------	----------	--

CONTENTS

0.0	INTRODUCTION.....	7
0.1	DOCUMENT IDENTIFICATION	7
0.2	OBJECT OF THE DOCUMENT	7
0.3	GENERAL CONDITIONS.....	7
0.4	IDENTIFICATION DATA OF THE MANUFACTURER	8
0.5	NORDSON INTERNATIONAL	9
0.6	SYMBOLS USED IN THE MANUALS	11
0.7	MACHINE UPDATES.....	12
0.8	HOW TO ASK FOR FURTHER COPIES.....	12
0.9	RESPONSIBILITIES	13
1.0	TECHNICAL ASSISTANCE	14
2.1	DANGEROUS AREAS AND PLACING OF SAFETY DEVICES.....	17
2.2	POSITION OF WARNING LABELS.....	18
2.3	GENERAL PROHIBITIONS	19
2.4	GENERAL OBLIGATIONS.....	19
2.5	DANGER	19
2.6	ADVICE ABOUT LIGHTING	19
3.0	DESCRIPTION OF THE MACHINE	20
3.1	TERMINOLOGY USED.....	22
4.0	TECHNICAL DATA	23
4.1	WEIGHTS AND OVERALL DIMENSIONS HF30.....	23
4.2	WEIGHTS AND OVERALL DIMENSIONS HF80.....	24
5.0	IDENTIFICATION OF THE MACHINE	25
6.0	FORESEEN AND UNFORESEEN USE OF THE MACHINE	26
7.0	MOVING AND TRANSPORT	27
7.1	STAFF QUALIFICATION	28
7.2	EQUIPMENT AND MEANS TO USE.....	28
7.3	ADVICE ABOUT LIFTING.....	29
7.3.1	<i>Lifting with ropes</i>	29
7.3.2	<i>Lifting with machines</i>	30
7.4	STORAGE CONDITIONS.....	30
7.5	CHECKING THE MACHINE.....	30
8.0	MACHINE INSTALLATION	31
8.1	ENVIRONMENTAL CONDITIONS.....	32
8.2	NEED OF FREE SPACES.....	32
9.0	SETTING UP THE MACHINE.....	33
9.1	CONNECTION OF THE RECIPROCATOR TO THE CONTROL MODULE.....	33
9.2	ASSEMBLY OF GUNS SUPPORTS	34
9.3	MACHINE BALANCING	35
10.0	BEFORE START UP.....	36
10.1	STAFF QUALIFICATION	36
10.2	FORESEEN CONTROL POSITIONS	36
10.3	CONTROL MODULES	36
10.4	EMERGENCY BUTTONS AND THEIR PLACING	37
11.0	USE OF THE MACHINE	38
12.0	MAINTENANCE FOR HF30.....	39

12.1	GENERAL SAFETY ADVICE.....	39
12.2	TECHNICAL COMPETENCE	39
12.3	PERIODICAL MAINTENANCE TABLE	40
12.4	SUMMERY TABLE OF SUGGESTED SPARE PARTS	41
12.5	REPLACEMENT OF THE GEARMOTOR.....	42
12.6	ADJUSTMENT OF THE TROLLEY WHEELS	50
12.7	REPLACEMENT OF TROLLEY WHEELS.....	53
12.8	ADJUSTMENT OF THE COUNTERWEIGHT	55
12.9	REPLACEMENT OF THE COUNTERWEIGHT SLIDING GUIDES	56
12.10	ADJUSTMENT OF THE HARDWARE LIMIT OF THE STROKE	58
12.11	REPLACEMENT OF THE BELT	59
12.12	ADJUSTMENT OF THE BELT TENSION.....	64
12.13	REPLACEMENT OF THE ENCODER (IF PRESENT).....	66
12.0	MAINTENANCE FOR HF80.....	68
12.1	GENERAL SAFETY ADVICE.....	68
12.2	TECHNICAL COMPETENCE	68
12.3	PERIODICAL MAINTENANCE TABLE	68
12.4	SUMMERY TABLE OF SUGGESTED SPARE PARTS	69
12.5	REPLACEMENT OF THE GEARMOTOR.....	70
12.6	ADJUSTMENT OF THE TROLLEY SLIDING BLOCKS.....	78
12.7	REPLACEMENT OF THE TROLLEY SLIDING BLOCKS.....	82
12.8	ADJUSTMENT OF THE COUNTERWEIGHT	85
12.9	REPLACEMENT OF THE COUNTERWEIGHT SLIDING GUIDES	86
12.10	ADJUSTMENT OF THE HARDWARE LIMIT OF THE STROKE	88
12.11	REPLACEMENT OF THE BELT	89
12.12	ADJUSTMENT OF THE BELT TENSION.....	94
12.13	REPLACEMENT OF THE ENCODER	96
13.0	ALARMS.....	97
14.0	SPARE PARTS.....	98
14.1	GENERAL ADVICE.....	98
14.2	HOW TO ORDER SPARE PARTS	99
14.3	LIST OF SPARE PARTS FOR HF30.....	100
14.4	LIST OF SPARE PARTS FOR HF80.....	110
15.0	DRAINING OF HARMFUL SUBSTANCES AND DISMANTLING OF THE MACHINE ..	120
16.0	ATTACHMENTS	121
17.0	PERSONALISATION/SPECIAL EXECUTIONS.....	129
17.1	KIT HANDLE FOR MANUAL MOVEMENT.....	129
17.2	RECIPROCATOR MOD. HF30 ON Z-AXIS MOD. HBF.....	131
17.3	SPARE PARTS FOR HF30 ATEX ZONE 1-II 2 G T3	133
17.4	SPARE PARTS FOR HF80 ATEX ZONE 1-II 2 G T3	134

0.0 INTRODUCTION

0.1 Document identification

The operating and maintenance manual is a document issued by **Nordson** for the chosen reciprocators and it is an integral part of the machine.

The document is generic so it's advisable to make a note of your machines serial number as a reference should you ever require technical support for the machine, in order to permit tracing and identification.

All copy rights and distribution's rights of this manual and the relevant enclosed documents are reserved to Nordson.

0.2 Object of the document

This manual sets out:

- To provide technicians, workers and maintenance people with instructions, information and advice on how to work in the best safety conditions.
- To put the worker in a position to use the machine correctly and safely and to maintain it in a good and efficient condition.
- To be able to prove, through the provided information, the compliance of the machine with the directives in force regarding industrial safety standards.

0.3 General conditions

During the drawing up of this document the following directives have been considered:

- UNI EN ISO 12100-1:2010, Safety of machinery – General principles for design – Risk assessment and risk reduction
- UNI EN ISO 13849-1:2008, Safety of machinery – Safety-related parts of control systems - Part 1: General principles for design
- UNI EN ISO 13857:2008, Safety of machinery – Safety distances to prevent hazard zones being reached by upper and lower limbs
- UNI EN 349:2008, Safety of machinery – Minimum gaps to avoid crushing of parts of the human body
- UNI EN ISO 13850:2008, Safety of machinery – Emergency stop - Principles for design
- CEI EN 60204-1, Safety of machinery – Electrical equipment of machines



ATTENTION : If this machine is an integral part of a plant , it is forbidden to start it unless the whole plant is in compliance with the "**Machine directive**"**2006/42/CE** and those that follow.

0.4 Identification data of the manufacturer

The identification of **Nordson** as machine manufacturer, is in compliance with the legislation in force through these certificates:

- **Declaration of conformity** (see attachments)
- **CE plate**
- **Operation and maintenance manual**

A special identification plate, applied to the machine, permanently carries information regarding **CE** mark. The copies of the identification plates "**CE MARK**", applied on each single machine, and the relevant "**DECLARATION OF CONFORMITY**" are attached.

The machine has been supplied by:

NORDSON CORPORATION

0.5 Nordson International

Europe

<u>COUNTRY</u>		<u>PHONE</u>	<u>FAX</u>
Austria		43-1-707 5521	43-1-707 5517
Belgium		31-13-511 8700	31-13-511 3995
Czech Republic		4205-4159 2411	4205-4124 4971
Denmark		45-43-66 0123	45-43-64 1101
Finland		358-9-530 8080	358-9-530 80850
France		33-1-6412 1400	33-1-6412 1401
Germany	<i>Erkrath</i>	49-211-92050	49-211-254 658
	<i>Lüneburg</i>	49-4131-8940	49-4131-894 149
Italy		39-02-904 691	39-02-9078 2485
Netherlands		31-13-511 8700	31-13-511 3995
Norway	<i>Hot Melt</i>	47-23 03 6160	47-22 68 3636
	<i>Finishing</i>	47-22-65 6100	47-22-65 8858
Poland		48-22-836 4495	48-22-836 7042
Portugal		351-22-961 9400	351-22-961 9409
Russia		7-812-11 86 263	7-812-11 86 263
Slovak Republic		4205-4159 2411	4205-4124 4971
Spain		34-96-313 2090	34-96-313 2244
Sweden	<i>Hot melt</i>	46-40-680 1700	46-40-932 882
	<i>Finishing</i>	46 (0) 303 66950	46 (0) 303 66959
Switzerland		41-61-411 3838	41-61-411 3818
United Kingdom	<i>Hot Melt</i>	44-1296-610- 140	44-1296-610- 175
	<i>Finishing</i>	44-161-498- 1500	44-161-498- 1501
	<i>EFD</i>	44-1582-666- 334	44-1582-664- 227
DED, Germany		49-211-92050	49-211-254 658

**Distributors in
Eastern & Southern
Europe**

Outside Europe

For Your nearest **Nordson** office outside Europe contact the Nordson offices below for detailed information

	<u>CONTACT NORDSON</u>	<u>PHONE</u>	<u>FAX</u>
<u>Africa/Middle East</u>	DED, Germany	49-211-92050	49-211-254 658
<u>Asia/Australia/ Latin America</u>	Pacific South Division, USA	1-440-985-4000	1-440-985-1096
<u>Japan</u>	Japan	81-3-5762-2700	81-3-5762 2701
<u>North America</u>	Canada	1-905-475-6730	1-905-475-8821
	USA	<i>Finishing</i>	1-440-892-1580 1-440-985-1417

0.6 Symbols used in the manuals

To make the reading and the understanding of this manual easier and immediate, the following symbols have been used:



"Conductor": qualified and authorized person that has been instructed to start the machine with the necessary protections in place via the use of the commands on the push-button panel.



Mechanical maintenance person: a technician, qualified and authorized to install, repair and carry out special maintenance that is exclusively mechanical.



Electrical maintenance person: a technician, qualified and authorized to install, repair and carry out special maintenance exclusively electrical.




Manufacturer's technician with mechanical competences: for complex and/or special operations.




Manufacturer's technician with electrical or electronic competences: for complex and/or special operations.

0.7 Machine updates

In the case of technical changes made by **Nordson** during the operating life of the machine an appropriate revision of the document itself will be supplied with the essential data specified on the page “DOCUMENT IDENTIFICATION”.

RECIPROCATORE mod. HF30 

TITOLO DOCUMENTO : MANUALE ISTRUZIONI D'USO E MANUTENZIONE		N°: REVISIONE :	
CLIENTE :		COMMESSA N°:	
MATRICOLA MACCHINA :		DATA :	
REV.	DATA	DESCRIZIONE	
Preparato	Controllato	Approvato	

Pagina 3 Manuale di Uso e Manutenzioni

In the case that **Nordson** submits a copy of the document with revisions, the customer should see to the elimination of the parts concerned and to the replacement.

0.8 How to ask for further copies

Further copies should be ordered from **Nordson** offices (see tables at pages 8 and 9):

0.9 Responsibilities

This manual reflects the technical state of the machine at the moment of sale and it is open to changes, depending on the firm opinion of the manufacturer.

In case of manual changes the manufacturer is not obliged to update those manuals that accompany machines already sold.

The manufacturer is released from any responsibility in any case of improper or incorrect use such as, for example:

- the use of the machine by not trained staff;
- use without following the regulations in force;
- incorrect installation;
- mains supply defects;
- serious lack of maintenance;
- unauthorized modifications to the machine;
- the use of spare parts not supplied or approved by **Nordson**
- failure to follow the "operating and maintenance manual";

It must be remembered that any total or partial reproduction of this manual is forbidden unless authorised by **Nordson**.

1.0 TECHNICAL ASSISTANCE

For any technical or commercial requirements, please contact the relevant **Nordson** office from the list on page 9/10 in this manual.



2.0 GENERAL SAFETY INSTRUCTIONS

Each interaction between the worker and the machine has been carefully studied and analysed during the planning stages.

The choice in construction, the technical features of the machine and the indications reported in this document are intended to guarantee the greatest safety level to the operator.

According to the "**Machinery directive**" **2006/42/CE** it is useful to remember the following definitions:

"Dangerous zones": every zone inside and/or in proximity to a machine where the presence of an exposed person is a danger to safety and health.

"Exposed person": any person situated entirely or partially in a dangerous zone.

"Worker": a person/operator instructed to operate, regulate and carry out ordinary maintenance and/or clean the machine.

To better define the limit of operation and relevant qualifications of the "**worker**" and to help them understand the manual easier, the following classifications have been used:



Conductor:

qualified and authorized person that has been instructed to start the machine with the necessary protections in place via the use of the commands on the push-button panel.



Mechanical maintenance person:

a technician, qualified and authorized to install, repair and carry out special maintenance that is exclusively mechanical.



Electrical maintenance person:

a technician, qualified and authorized to install, repair and carry out special maintenance exclusively electrical.



Manufacturer's technician with mechanical competences:

for complex and/or special operations.



Manufacturer's technician with electrical or electronic competences:

for complex and/or special operations.

The employer should provide the necessary training to the staff regarding the risks of accidents, and safety devices to protect the worker, and must also insist on the observance of rules and company instructions about safety and protection measures.

The worker has to respect the instructions given by the employer or other authorised people and particularly:

- Use the machine as intended by design, equipment, tools and safety devices
- Use correctly the individual protective devices
- Notify immediately, any dangerous conditions
- Must not remove or modify safety devices or control signal
- Follow scrupulously the indications in this manual

The unauthorised tampering and substitution of one or more parts or groups of the machine, the use of equipment or normal wear material other than that indicated by **Nordson**, can pose a risk of accidents and hence release the manufacturer from civil or penal responsibilities.



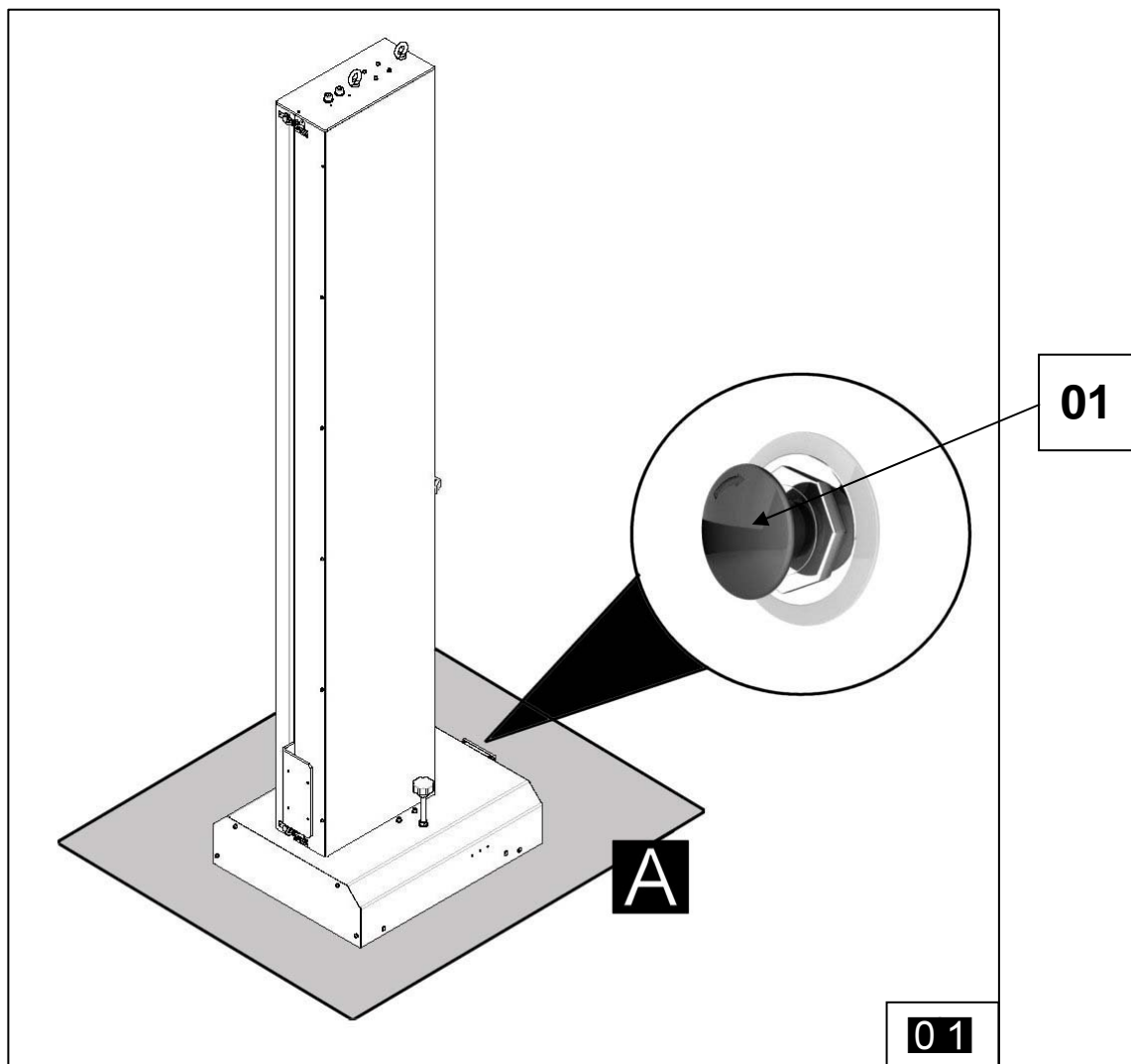
ATTENTION : Before starting up the machine and carrying out working operations, electric boards, control panels, and all protections, must be closed and the working area must be free and clean.



ATTENTION : If this machine is an integral part of a plant, it is forbidden to start it unless the whole plant is in compliance with the "**Machine directive**" **2006/42/CE** and those that follow.

2.1 Dangerous areas and placing of safety devices

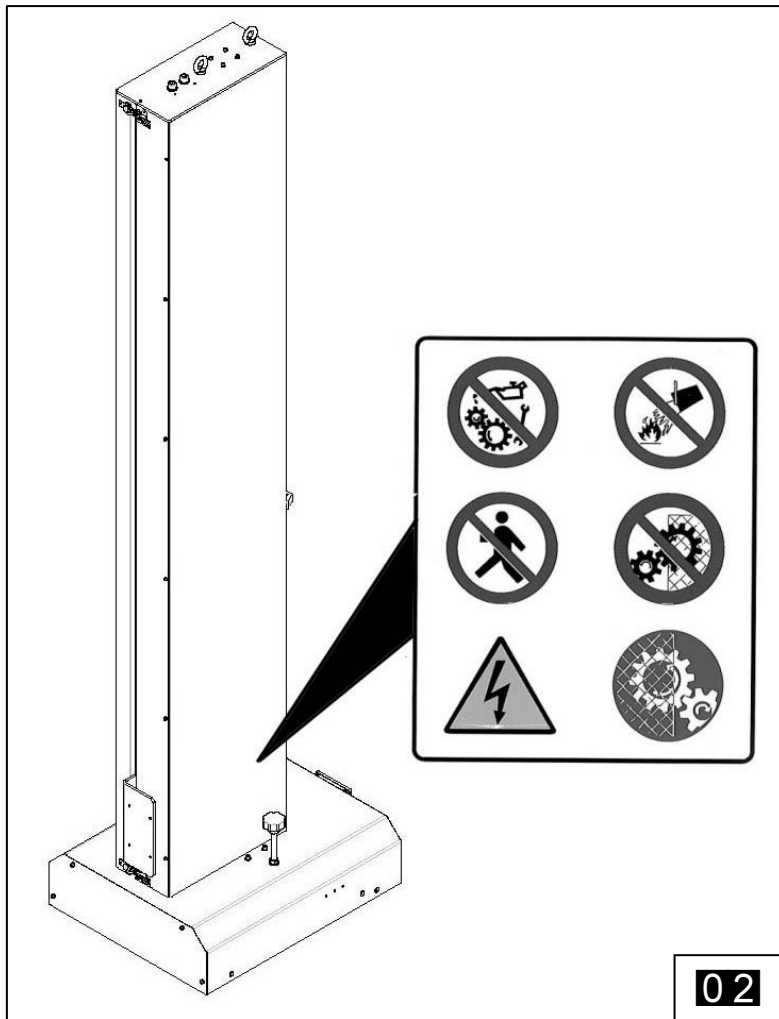
- Due to the structural typology of the machine that is integrated in painting plants, it is necessary to determine and fence an area **01 A** where the operator must not enter when the plant is in function.
- Emergency stop: the position of the emergency/stop button **01 (01)** depends on the type of control module connected to the machine and it has to be integrated to the emergency circuit of the general plant (see the attached wiring diagrams)



2.2 Position of warning labels

The warning labels that are clearly visible and attached to the machine are additional and not alternative measures to the already foreseen protections.

Such labels further improve the operator's safety, in that they give correct information regarding requirements and cautions.



02

2.3 General prohibitions



Do not remove safety devices and protections.



Temporary removal of protections - protections and safety devices of the machine must NOT be removed during maintenance; it is necessary to adopt immediately measures to reduce risks, under the supervision of authorised people.



It is forbidden for any person, except the conductor, to access to the operating area of the machine.



Do not clear or lubricate while the machine is running.



It is forbidden to use water to put out fires.

2.4 General obligations



Switch off at the mains supply before unplugging electrical devices.



Check the effectiveness of protections and precautionary measures.



Notify immediately faults and lack of protections and precautionary measures and any dangerous situation.

2.5 Danger



High voltage.

2.6 Advice about lighting

The machine is not provided with an autonomous lighting system, because a normal working environment condition, that is at least 300 lux, is sufficient.

The customer should supply a similar lighting value, to carry out the normal working operations.

For maintenance work a portable lamp is recommended.

3.0 DESCRIPTION OF THE MACHINE

The ever-increasing need to produce automatically and to optimise the production cycles of spray-coating systems has led in these years to the development of reciprocators, that, replacing the operator during the most repetitive phases of working processes, eliminate errors caused by carelessness and inexperience.

The new generation of reciprocators by **Nordson** has been studied in order to increase the requirements of productions and, beginning from the simplest model, technical advanced solutions are used, that eliminate manual works carried out from the edge of machine, previously essential. In fact all adjustments are achieved directly from the control board via simple and immediate commands.

The **Reciprocators mod. HF** are the most efficient solution in automated systems; they have been studied to support loads to 30 Kg (**HF30**) up to 80Kg (**HF80**); they allow a great versatility in use, because they can be used individually as well as in integrated automation systems and automation systems with computerized control.

Description

The reciprocator mod. HF is a self-supporting structure **01(01)**, which includes a basement **01(02)** which assures total stability.

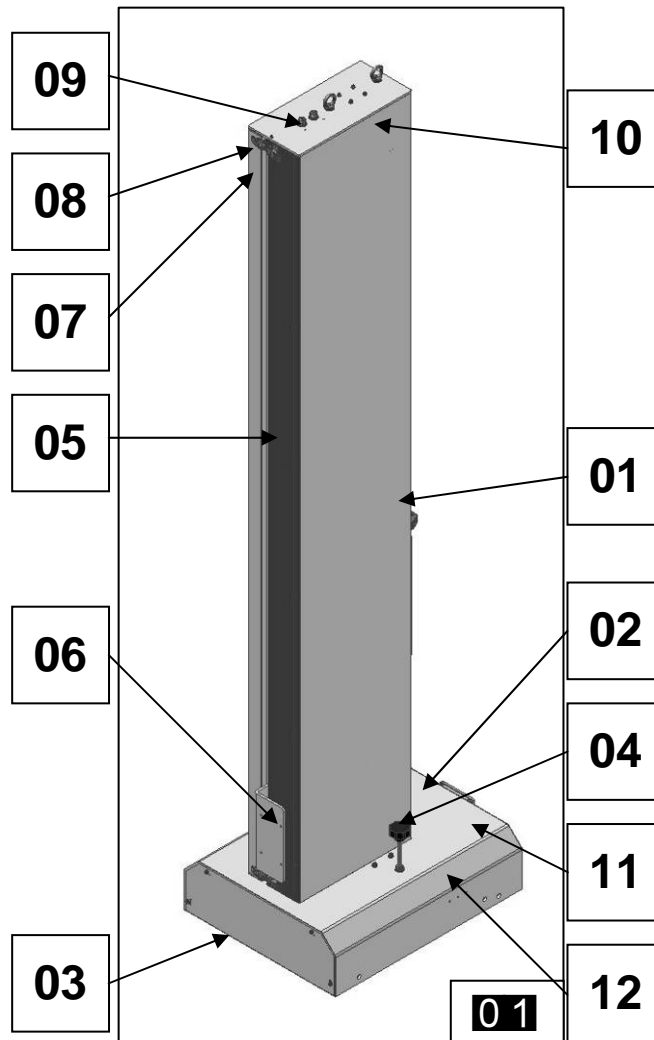
In order to help the positioning, the base is equipped with rotating wheels **01(03)** while in order to achieve a correct levelling of the machine, also on uneven floors, adjustment blocks are provided **01(04)**.

A special guide **01(05)** which is fixed to the inner part of the structure, allows a trolley to slide via two pairs of wheels or sliding blocks (for the HF80 version) **01(06)**.

A second guide **01(07)** is placed near the counterweight **01(08)** in order to guide it in its movements; in this way noises and vibrations are reduced to the minimum.

The movement occurs via a pulleys system **01(09)** and a toothed belt **01(10)** and the stroke width is controlled by an encoder (if required) **01(11)**.

The movement is guaranteed by a strong gearmotor **01(12)** located under the basement.

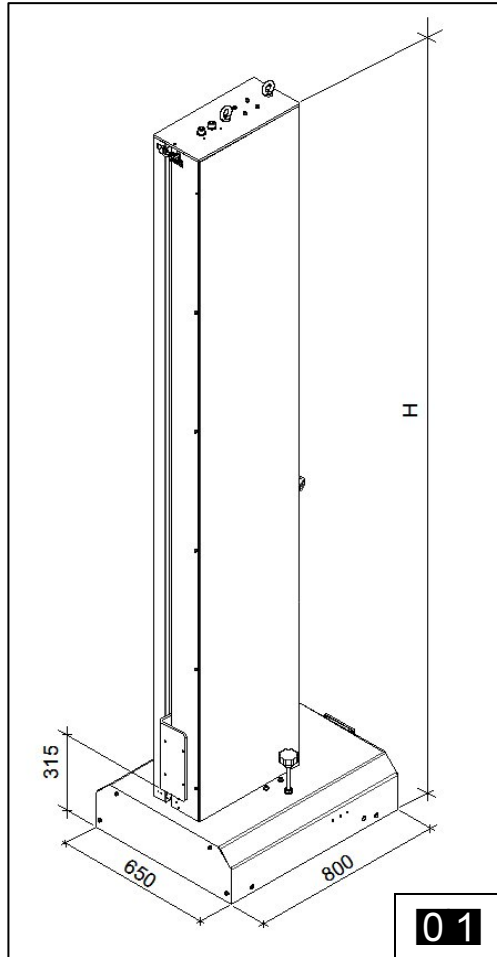


3.1 Terminology used

- **TROLLEY:** used to move the arm of the spray-gun in a vertical motion.
- **ARM:** part of the machine for fitting the spray gun.
- **GUN:** apparatus also supplied by **Nordson** suitable for the spraying of various powder and liquid coatings.

4.0 TECHNICAL DATA

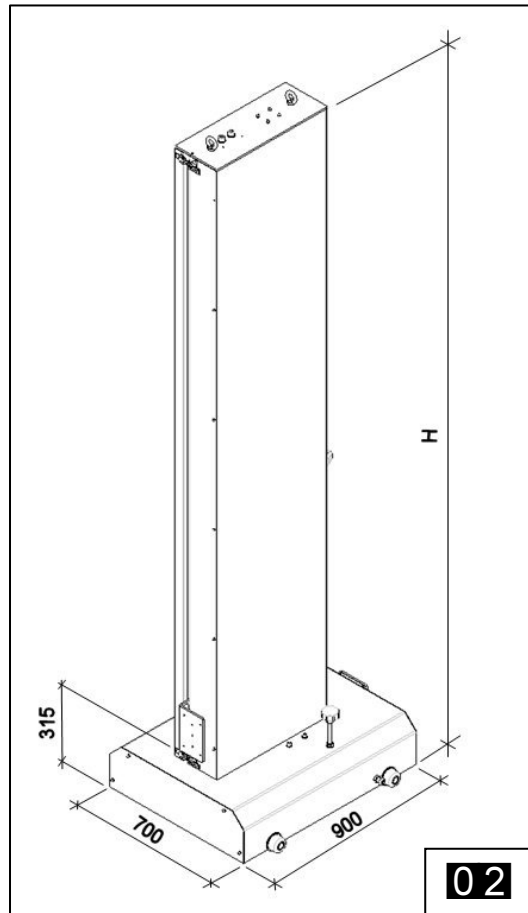
4.1 Weights and overall dimensions HF30



ATTENTION: It is forbidden to use the machine in the presence of explosive atmosphere.

STANDARD VERSIONS	HF30 170	HF30 220	HF30 270	HF30 320
TOTAL HEIGHT "H"	2.500 mm	3.000 mm	3.500 mm	4.000 mm
USEFUL STROKE	1.700 mm	2.200 mm	2.700 mm	3.200 mm
DISTANCE FROM THE GROUND	315 mm	315 mm	315 mm	315 mm
MIN SPEED	10 m/min	10 m/min	10 m/min	10 m/min
MAX SPEED	50 m/min	50 m/min	50 m/min	50 m/min
CAPACITY (referred to the column)	30 Kg	30 Kg	30 Kg	30 Kg
TOTAL WEIGHT	200 Kg	220 Kg	240 Kg	260 Kg
NOISE	< 70 dB			
RATED POWER	0,5 Kw			
POWER SUPPLY	230 VAC +/- 10% 3F 50 Hz			

4.2 Weights and overall dimensions HF80



ATTENTION: It is forbidden to use the machine in the presence of explosive atmosphere.

STANDARD VERSIONS	HF80 170	HF80 220	HF80 270	HF80 320
TOTAL HEIGHT "H"	2.500 mm	3.000 mm	3.500 mm	4.000 mm
USEFUL STROKE	1.700 mm	2.200 mm	2.700 mm	3.200 mm
DISTANCE FROM THE GROUND	315 mm	315 mm	315 mm	315 mm
MIN SPEED	10 m/min	10 m/min	10 m/min	10 m/min
MAX SPEED	50 m/min	50 m/min	50 m/min	50 m/min
CAPACITY (referred to the column)	80 Kg	80 Kg	80 Kg	80 Kg
TOTAL WEIGHT	275 Kg	300 Kg	325 Kg	350 Kg
NOISE	< 70 Db			
RATED POWER	0,75 Kw			
POWER SUPPLY	230 VAC +/- 10% 3F 50 Hz			

5.0 IDENTIFICATION OF THE MACHINE

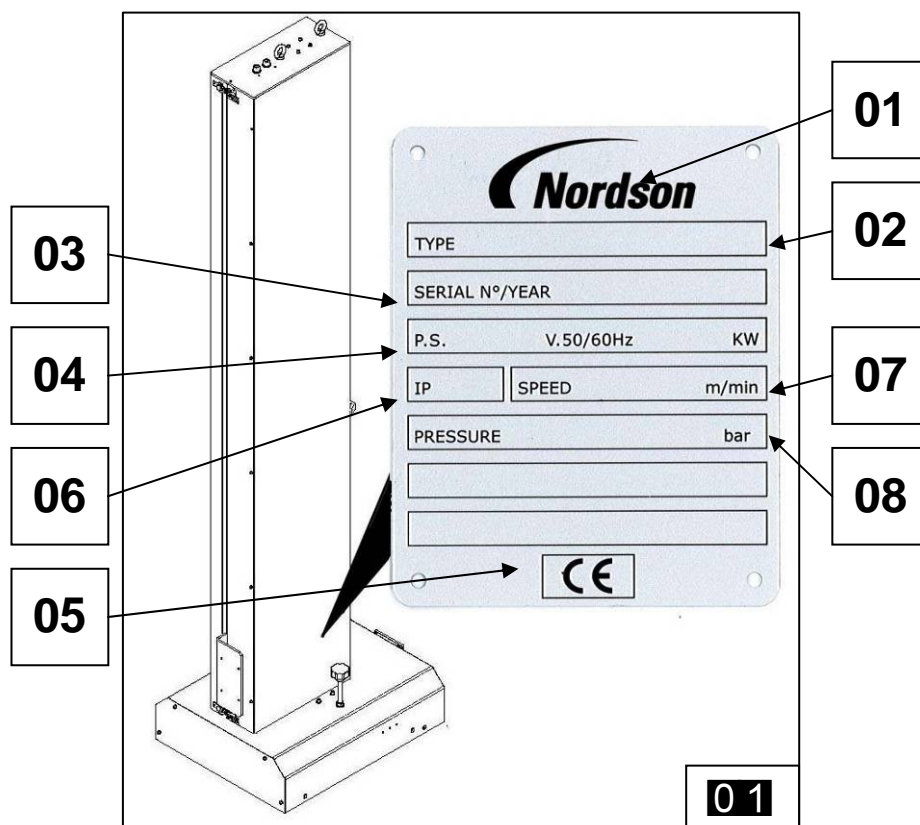
5.0.1 - This manual contains the operating and maintenance instructions for the machine manufactured by **Nordson**.

The figure **01** shows the location of the identification plate of the machine that specifies the following information:

- **01(01)** Name of the manufacturer/Address
- **01(02)** Type
- **01(03)** Serial number and Year of manufacture
- **01(04)** Power supply
- **01(05)** Certification mark
- **01(06)** Protection level
- **01(07)** Speed
- **01(08)** Pressure (only for pneumatic releases)



ATTENZIONE: the serial no. **01 (03)** on the plate must be mentioned whenever contacting the Manufacturer for information or spare parts.



5.0.2 - Copies of the plates "**CE MARK**", applied to each machine, and the relevant "**DECLARATION OF CONFORMITY**" are attached.

5.0.3 - If the plate **CE MARKING** is accidentally damaged, removed from the machine or simply the manufacturer mark is removed, the customer must inform **Nordson**.

6.0 FORESEEN AND UNFORESEEN USE OF THE MACHINE

The use of the **Reciprocator mod. HF** is foreseen **exclusively** for automatic systems of spray-coating with various powders or paints. Contact **Nordson** for more information. It has been planned for automatic guns that perform vertical and horizontal movements.



ATTENTION : If this machine is an integral part of a plant , it is forbidden to start it unless the whole plant is in compliance with the "**Machine directive**" **2006/42/CE** and those that follow.

The use of the machine must be carried out **exclusively** by staff that knows its work and have acknowledged all that is described on this manual.



It is absolutely forbidden to use the machine for any use other than that for what it is intended unless a specific request has been made to **Nordson**.

The incorrect use of the machine could cause risks both to the operator and to the machine itself.

6.1 Additional risks

The normal automatic modality of the machine does not foreseen risks, on condition that the whole plant, where the machine is integrated, is in compliance with the "**Machine directive**" **2006/42/CE**.

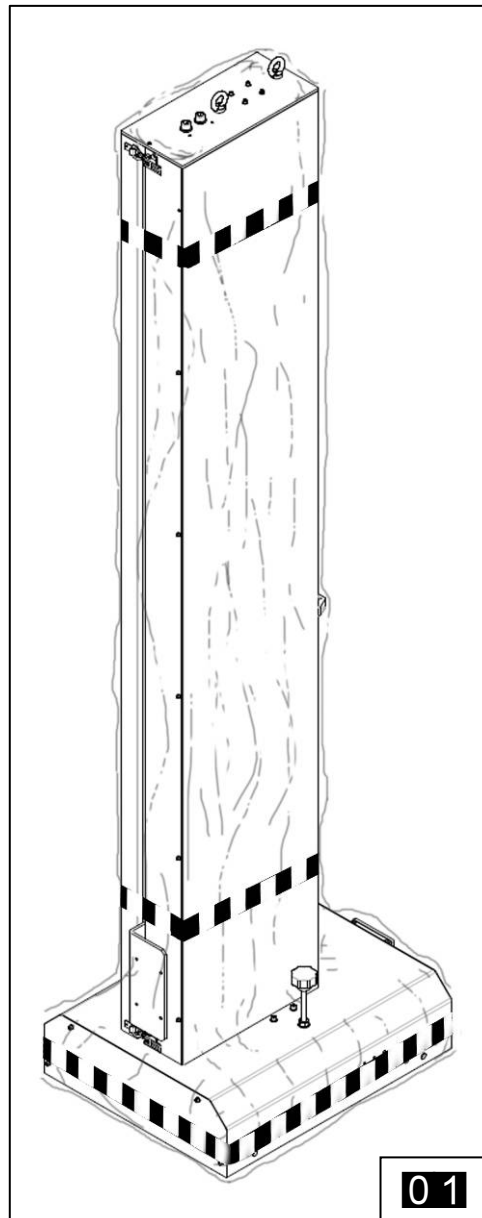
The only residual risk is the possibility to reach the movable sliding vertical parts with the upper limbs.

This risk can occur only during the maintenance operations where the operator is in close contact with the machine.

In any case the risk has been limited by using special protections and safety plates that inform and make the reaching of the dangerous zone difficult.

7.0 MOVING AND TRANSPORT

The machine is normally sent completely wrapped up with Pluriball, but depending on distance and type of contractual agreements it may be also secured to a pallet or in a crate. **01**



7.1 Staff qualification



During the movement and unloading from the means of transport qualified staff for the use of fork lift trucks, cranes or hoists should be used.

7.2 Equipment and means to use



ATTENTION: Before carrying out any moving operations of the machine, make sure there is nobody in the proximity.

Use chains and ropes and make sure that their characteristics are compatible with the weight and the overall dimension of the machine to move and in accordance with the regulations in force.

ADVICE

- Slings must be in accordance with the regulations ISO 4878 - ISO 9351.
- Only use slings, if the label, indicating all manufacturer's data, is attached and the capacity is clearly shown.
- Check slings before each lifting.
- Do not used in case of damage, cuts or wear.
- Follow the load factors indicated for each standard configuration.
- Use suitable protections to lift loads with sharp corners.
- Do not twist or knot the belt.
- Follow the instructions for use indicated by the supplier.
- Hook the other ends of the slings on to the hook of the lifting machineries.

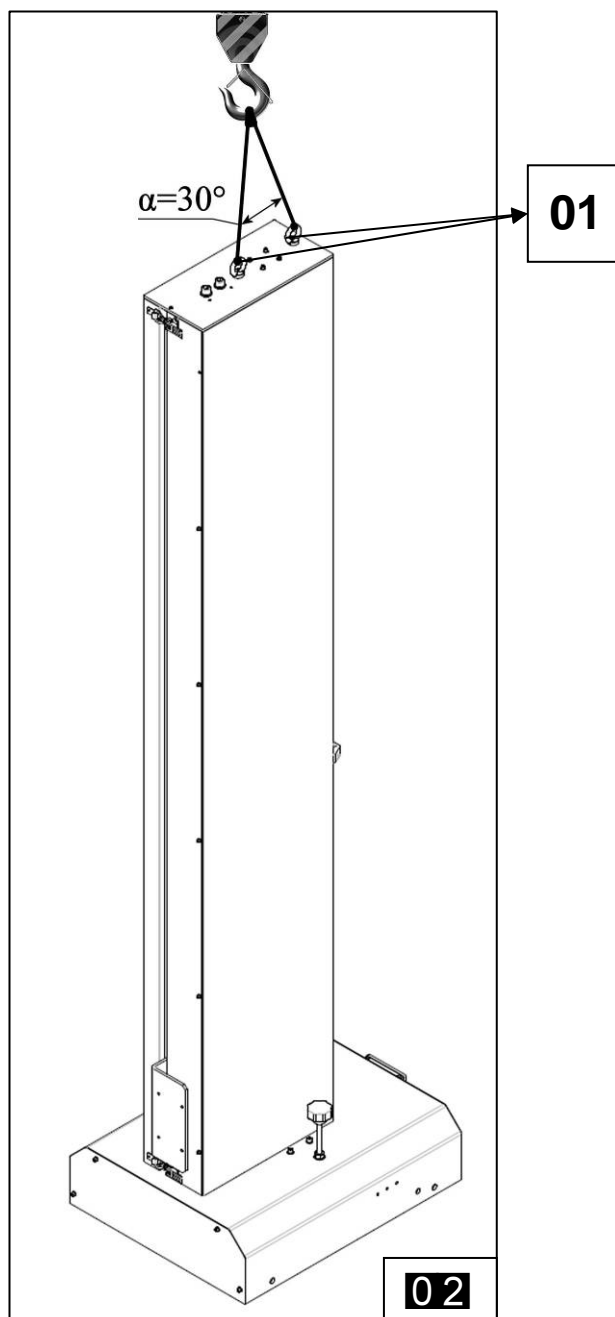
7.3 Advice about lifting

Depending on transport conditions, the reciprocator by **Nordson** can be moved by lifting with ropes or fork lift trucks.

7.3.1 Lifting with ropes



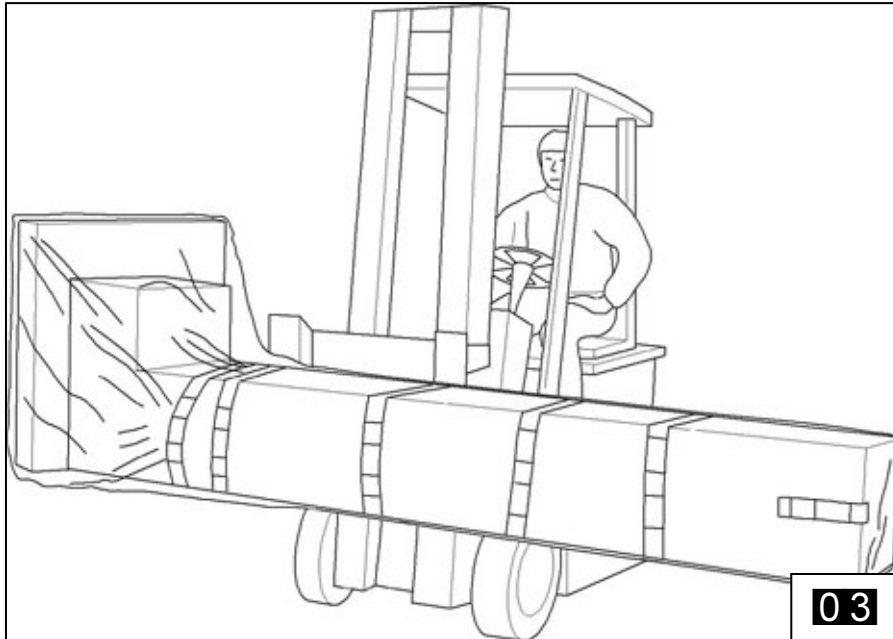
Place the special lifting eyebolts **02(01)** in the special hooking points as indicated in figure **02** using two ropes, with maximum corner α equal to 30° and rope characteristics adapted to the lifting of loads indicated.



7.3.2 Lifting with machines



If the reciprocator by **Nordson** is moved horizontally, it is necessary to lay it down on the forks of the forklift truck paying attention to position the spray coupler facing down as in figure **03**.



7.4 Storage conditions

If the machine has already been installed and a storage period, during which the machine will not be used, is necessary, all precautions must be taken to avoid contact with dust dirt, humidity and all moving mechanical parts that are prone to rust must be covered with a layer of grease. If the machine has to be moved, wrap it up with Pluriball and follow the previous procedures in order to move it.

7.5 Checking the machine

When unpacking the machine, check immediately that during transport none of the parts have been damaged.

Any damage to the machine, loss of additional or supplied parts must be communicated immediately to **Nordson**.

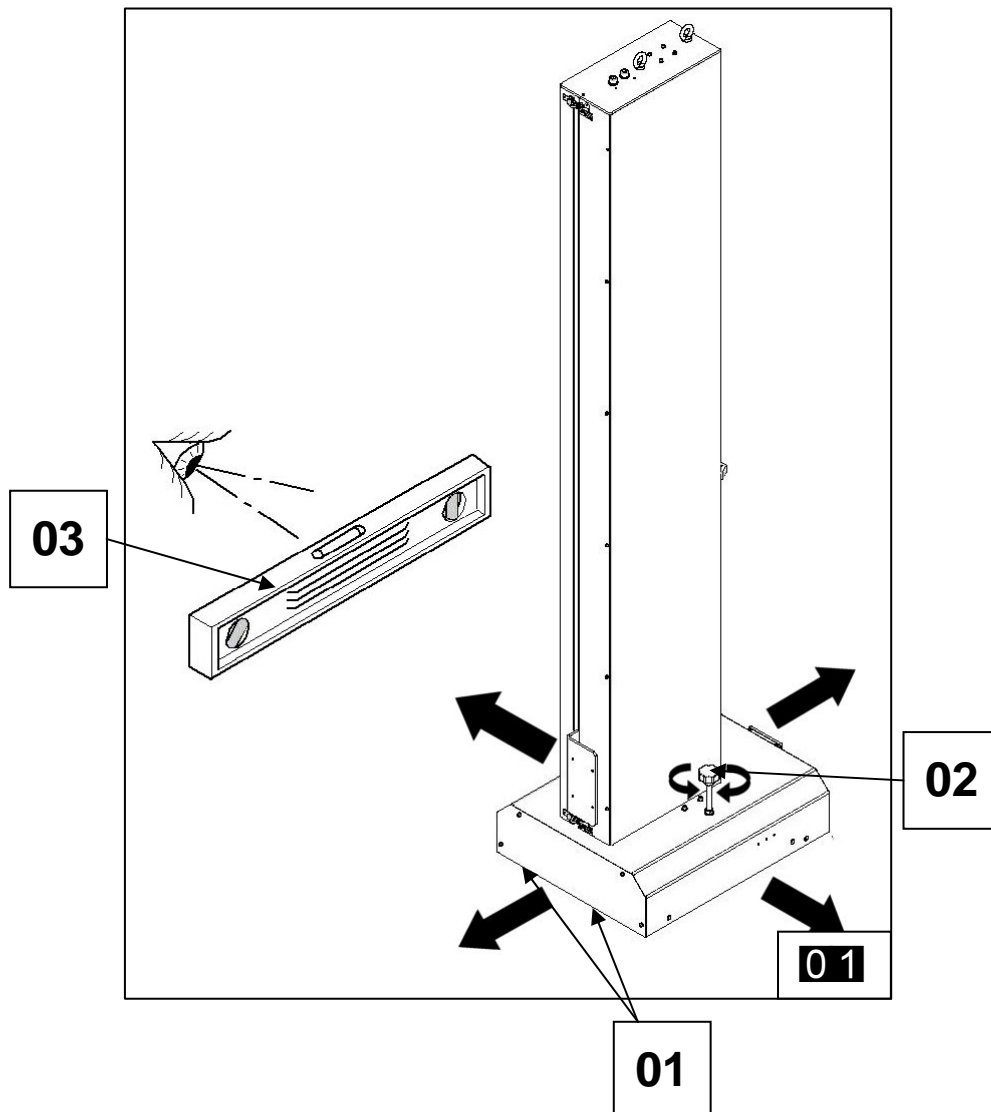
8.0 MACHINE INSTALLATION

There is no particular advice or precautions to take during the installation of the machine that can be placed on a normal floor, suitably levelled.

To place the machine in a paint plant, it is sufficient to let it slide on the wheels **01(01)**, under the basement, up to the required position.

Turn the special gradual knobs **01(02)** to level the machine and block the safety lock nut **01(03)**.

NOTE: check the correct vertical position of the machine **01(04)**.



8.1 Environmental conditions

The machine can work with the following environmental and climatic conditions:

- Environmental luminosity **min.300 Lux.**
- Environmental temperature **+5°/+40° C**
- Relative humidity maximum **50%** a **40° C**
- Relative humidity maximum **90%** a **20° C**



ATTENTION: It is forbidden to use the machine in explosive atmospheres.

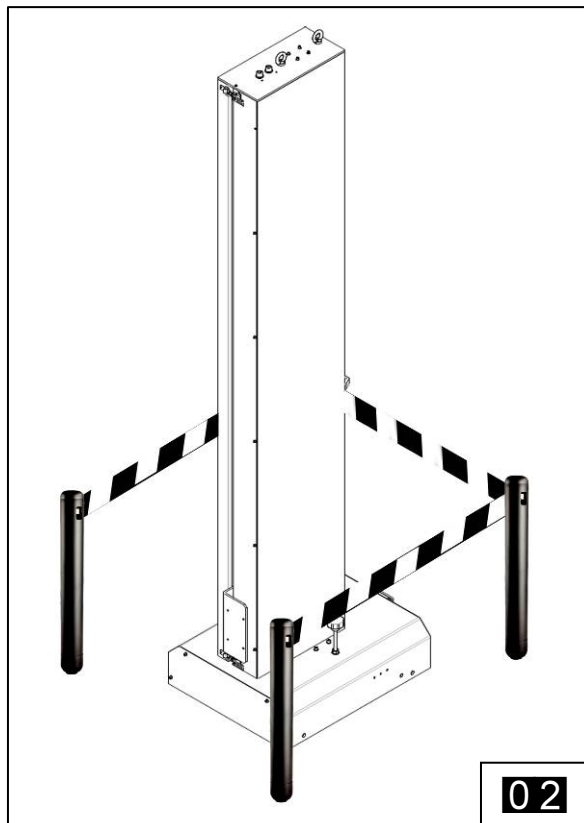


ATTENTION : In case of use in explosive atmospheres, it is possible to supply the version according to the ATEX directive (to advise during the order).

8.2 Need of free spaces



ATTENTION : When the reciprocator is positioned, it is necessary to define the area, where the moving parts (gun supporting arm) have their range, according to the EEC laws regarding the security on working stations. **02**

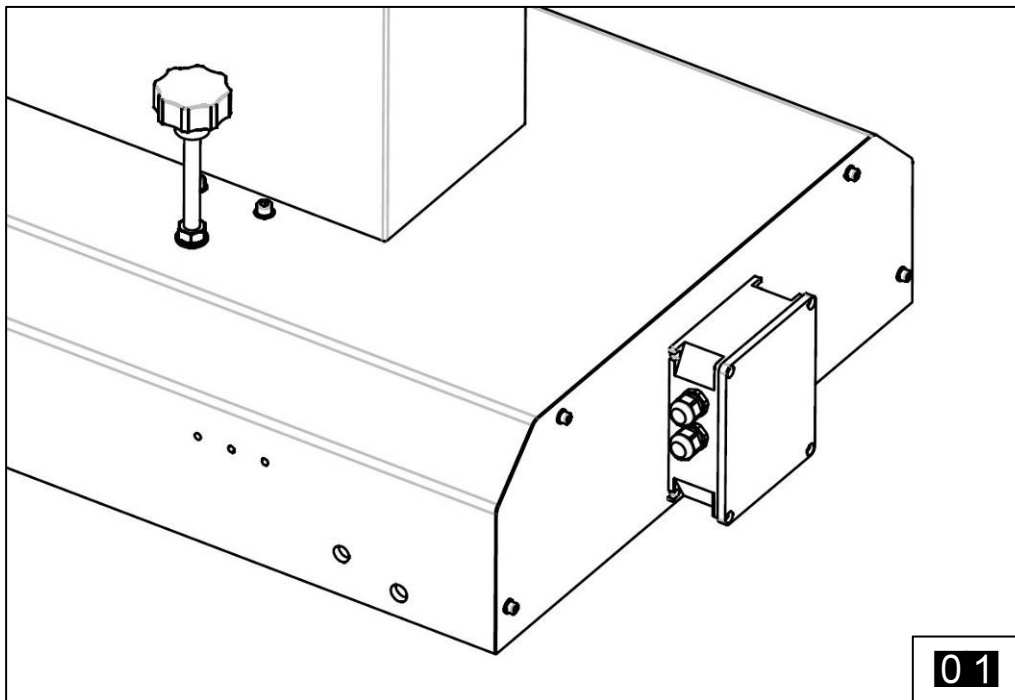


9.0 SETTING UP THE MACHINE

9.1 Connection of the reciprocator to the control module



Connect the machine with the control module, by using the cables already connected to the junction box. **01**



ATTENTION: The reciprocator mod. HF is projected to be connected to control modules series HQ; for any other kind of connections, contact the **Nordson** technical office in advance.

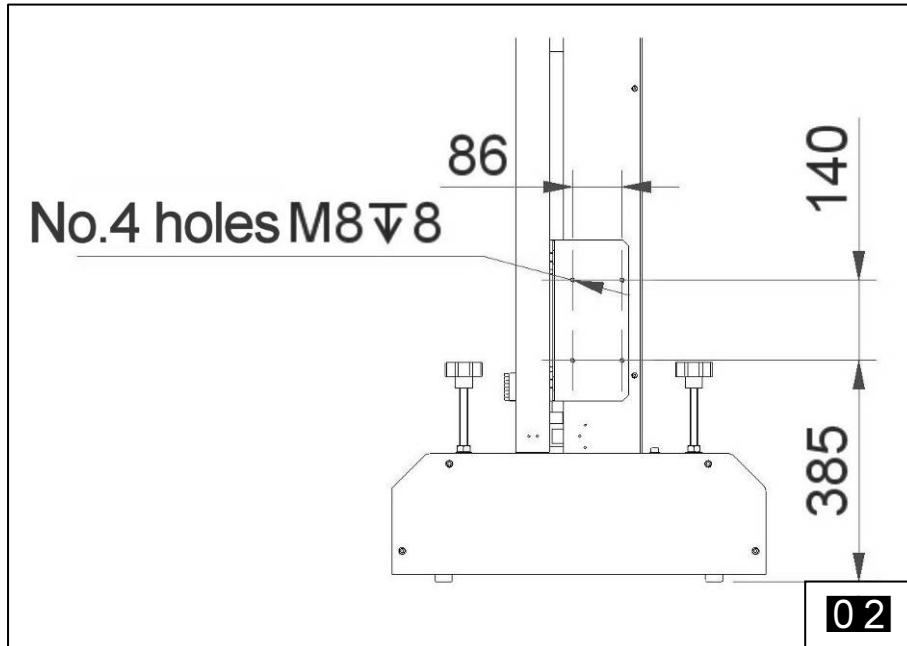
NOTE: for the electrical connections, see the wiring diagram attached.

9.2 Assembly of guns supports



An attachment is located on the reciprocator for fitting the gun supporting-arm.

Here below, the drawing with the dimensions of the holes available on the standard plate of the reciprocator. **02**



ATTENTION: The reciprocator HF30 has a maximum capacity of 30 kg and the reciprocator HF80 has a maximum capacity of 80 Kg; this value reduces depending on the position of the centre of the load. To determine the correct position see **Chapter 9.3** "Machine balancing".

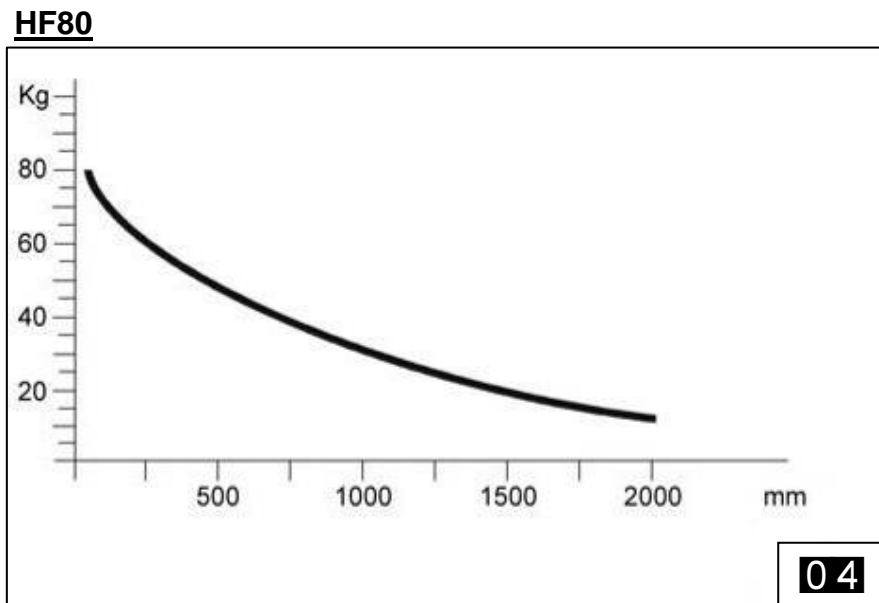
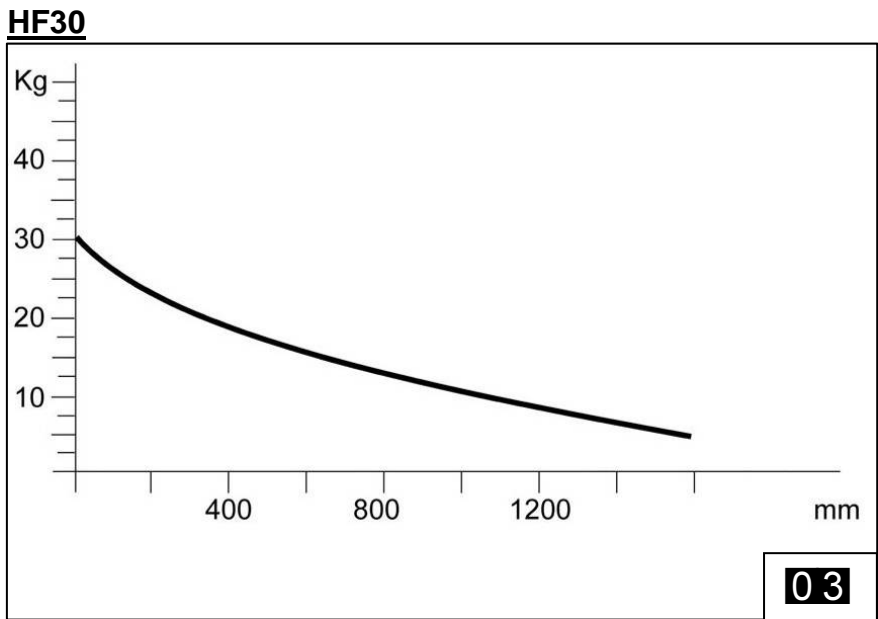


ATTENTION: the arms must be grounded.

9.3 Machine balancing



The reciprocator HF by **Nordson** can support a maximum capacity of 30 or 80kg; this value reduces depending on the position of the gun supports as indicated in the graph in fig. **03**
 The machine is supplied, if agreed in the order, already balanced.
 In case of no specification, the standard configuration is composed of 12 steel counterweights (with a total weight of 32 Kg) for the HF30 and 30 steel counterweights (with a total weight of 72 Kg) for the HF80; further additions can be agreed upon with **Nordson**.



10.0 BEFORE START UP

When starting the machine no particular preparatory procedures are necessary because the machine is tested and adjusted in all its functions by **Nordson**.

10.1 Staff qualification

The operator of the machine, before carrying out any kind of productive cycle, must know all the information, shown in this technical manual about the machine.

10.2 Foreseen control positions

The machine has been projected to be commanded and controlled in all its functions by one operator only.

The foreseen working position is in front of the control panel, integrated in the control system of the plant, from where the operator can verify the correct working of the plant.

10.3 Control modules

The **Nordson HF Reciprocator** is design to be operated by control module series HQ, however, they can also be used with the Nordson iControl – Application Control System.

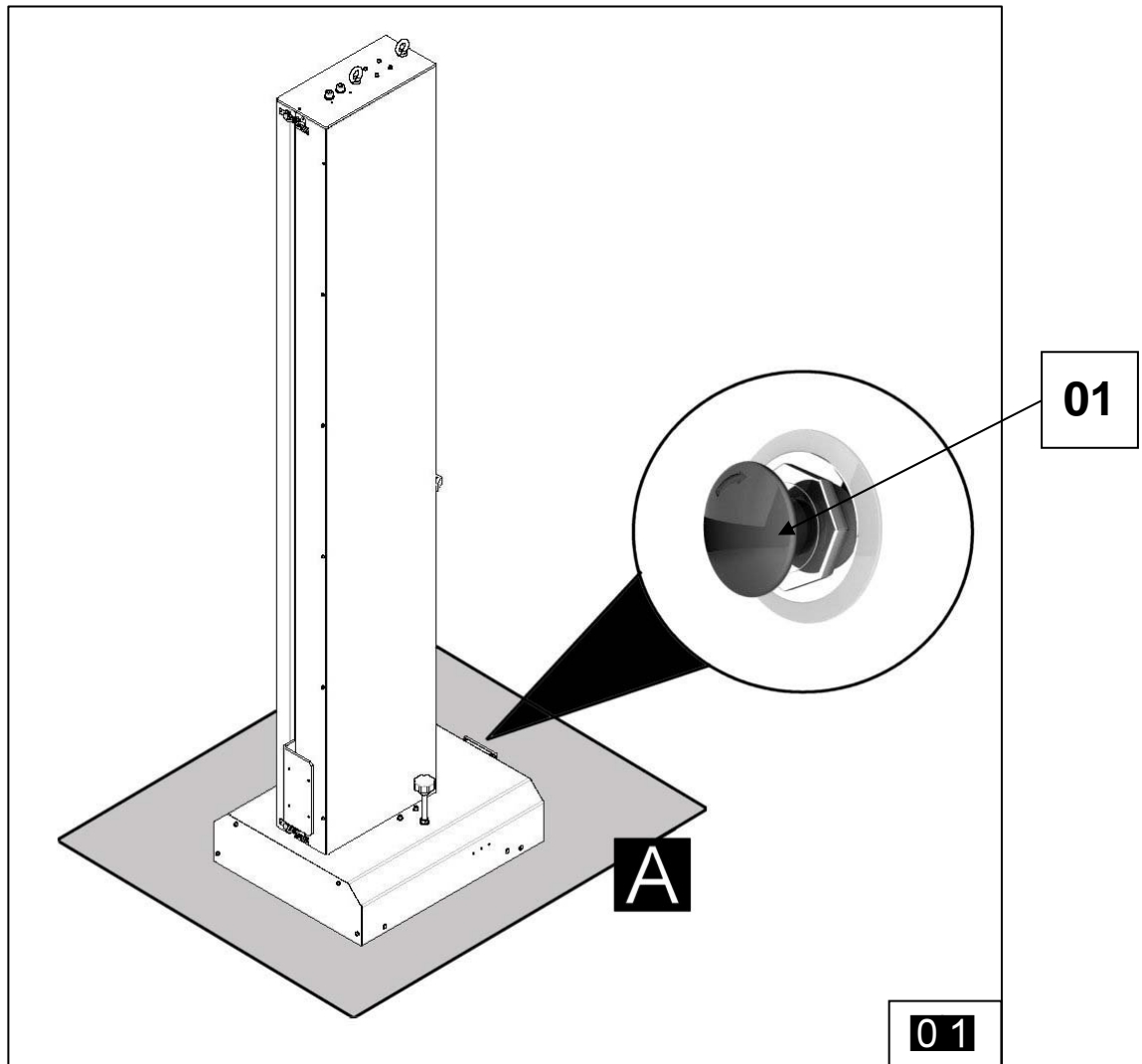
For the descriptions of modules refer to the operating manual supplied.

10.4 Emergency buttons and their placing

In case of danger, failure or any emergencies it is necessary to press the **EMERGENCY STOP** push button **01(01)** common to the whole plant.



To reset press the **EMERGENCY** push button, with rotating it.



NOTE: all Nordson controllers are equipped with an emergency push-button, which can be connected to the rest of the plant.

11.0 USE OF THE MACHINE



For a correct use and programming, see the operating manual of the control module.

12.0 MAINTENANCE FOR HF30

In order to have a safe, efficient and reliable machine, careful and constant maintenance is essential.

12.1 General safety advice

It is compulsory, before any maintenance to turn off the power and use any protective devices necessary during all intervention phases.

12.2 Technical competence

There are three kinds of maintenance interventions:



INTERVENTIONS THAT REQUIRE SPECIFIC TECHNICAL COMPETENCE

Can be carried out by not specific staff and usually regard cleaning duties.



INTERVENTIONS THAT REQUIRE SPECIFIC TECHNICAL COMPETENCE

Can only be carried out by staff qualified by customer and regard ordinary maintenance. Mechanical or electric competences may be required.



INTERVENTIONS THAT REQUIRE PARTICULAR TECHNICAL COMPETENCE

Can only be carried out by **Nordson** qualified mechanical or electrical technicians.

At the beginning of each paragraph, referring to the various maintenance subjects, the relative symbol referring to the necessary qualification of the operator is indicated.

12.3 Periodical maintenance table

PERIODICAL MAINTENANCE TABLE							
NOTE							
BIENNIAL							
ANNUAL							
SEMIANNUAL							
TRIMESTRIAL							
MONTHLY							
SEMWEELY							
WEEKLY							
DAILY							
Check belt tension							The 1st time after one week
Check trolley adjustment							
Guide cleaning							

12.4 Summery table of suggested spare parts

The following components are subject to wear and so a suitable stock should be kept for spare parts.

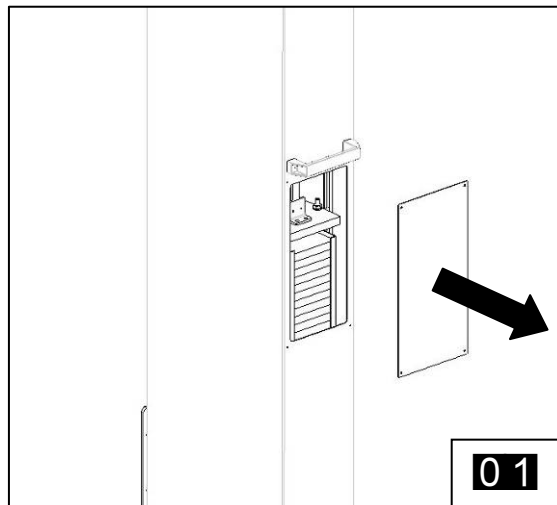
Part Number	Description
7034334	Toothed belt, HF30 17 (120.1902.17)
7034335	Toothed belt, HF30 22 (120.1902.22)
7034336	Toothed belt, HF30 27 (120.1902.27)
7034337	Toothed belt, HF30 32 (120.1902.32)
7034372	Kit,protection strip,HF30/80 1.7M (500.3006.17)
7034373	Kit,protection strip,HF30/80 2.2M (500.3006.22)
7034374	Kit,protection strip,HF30/80 2.7M (500.3006.27)
7034375	Kit,protection strip,HF30/80 3.2M (500.3006.32)
736339	Sensor,inductive,PNP,NC 12mm DIA (310.8207)
736296	KIT,2*CONCENTRIC,2*ECCEN WHEELS (500.0001)
7034353	Encoder, HF series (if present) (310.8073.01)
736828	Sensor,inductive,PNP,NO 12mm DIA (if present) (310.8208)
736358	Coupling,sensor encoder,recip (120.0002)
7034320	Gearmotor assy,HF30 (400.0102.01)
7034326	Kit, 2 counterweight guide,HF30 (500.3002)

12.5 Replacement of the gearmotor



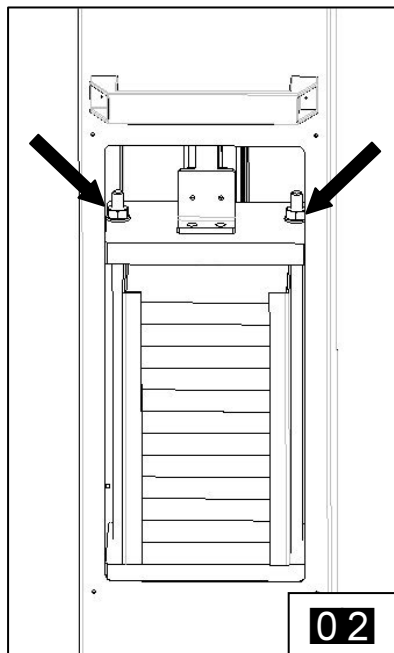
To replace the gearmotor do as follows:

- Turn off the power supply to the machine.
- Remove the gun supporting-arm.
- Remove the rear door, lift the trolley by hand so as to allow the counterweight to go down to the opening. **01**.



ATTENTION: To make the work easier and for safety reasons, it is better that the following operations are carried out by two operators.

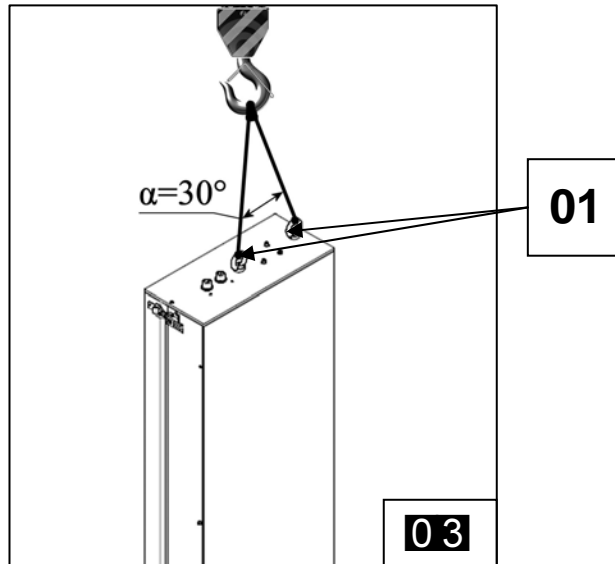
- Unscrew the two nuts of the rod, with a suitable wrench, so as to slacken the belt and remove it from the pulley. **02**



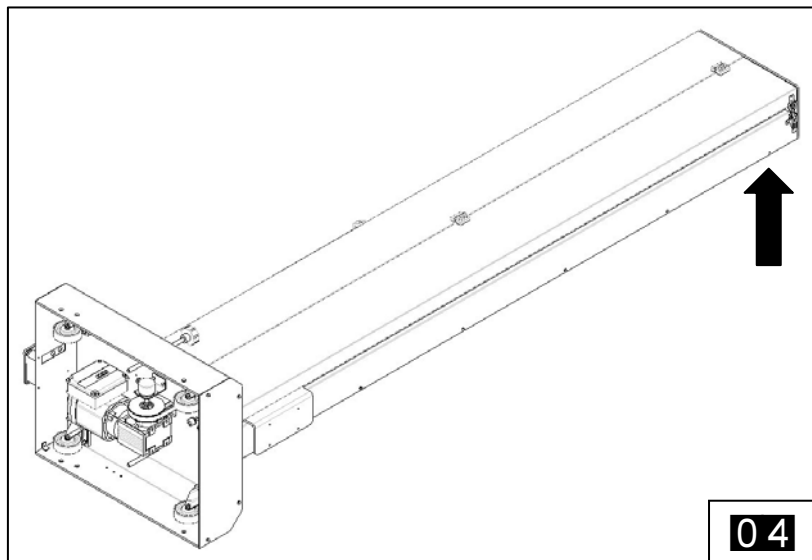


ATTENTION: do not remove the screws completely so as to avoid that the counterweight and the trolley fall.

- Place the suitable eyebolts **03(01)** into the holes on top of the reciprocator as in picture **03** using two ropes, with maximum corner equal to 30° and rope characteristics adapted to the lifting of loads indicated.

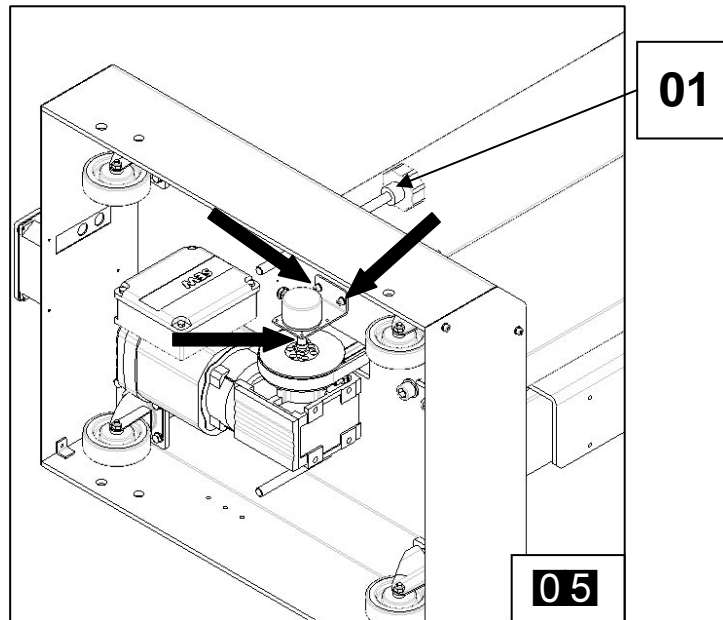


- If necessary, via a forklift truck and operating in a safety condition, lie down the reciprocator to the ground as in the picture. **04**

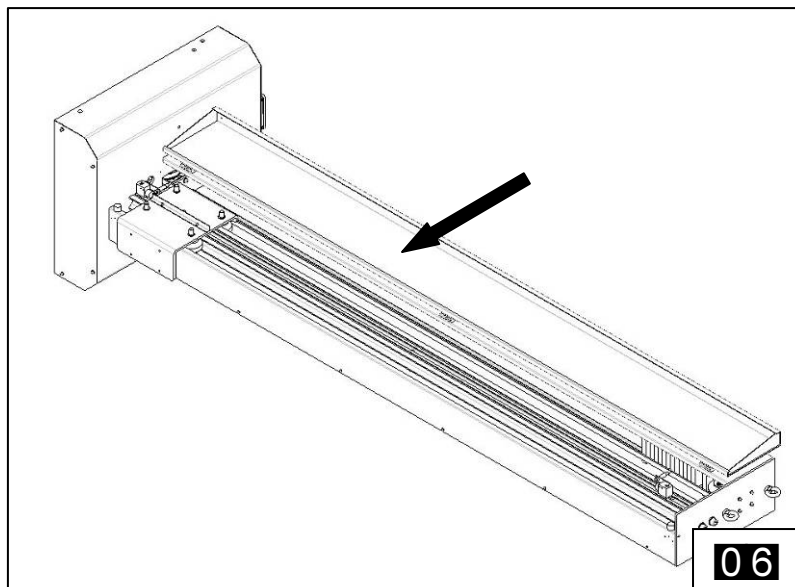


- Place some spacers at the top of the column (as indicated with the arrow in picture **04**) so that the reciprocator is horizontally levelled.

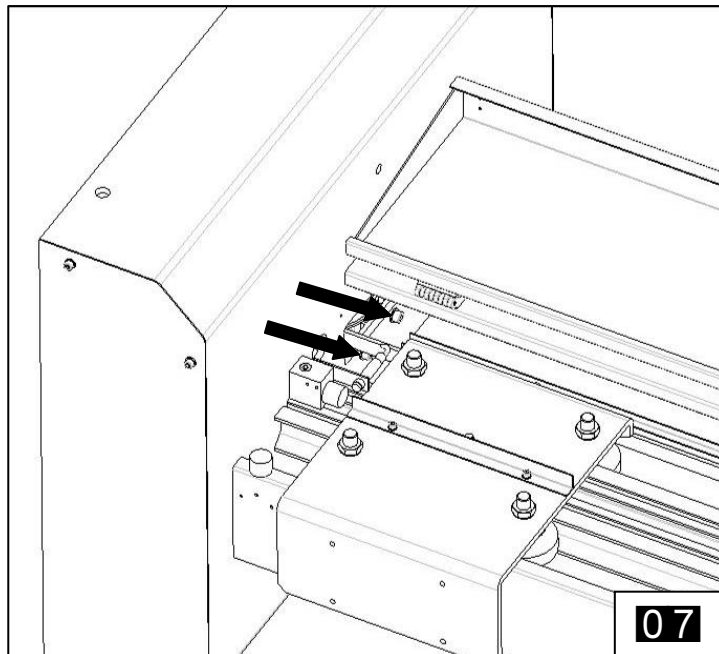
- Loose the encoder shaft by loosening the relative clamp. Remove the encoder by unscrewing its support. **05**
- Remove the levelling knob. **05(01)**



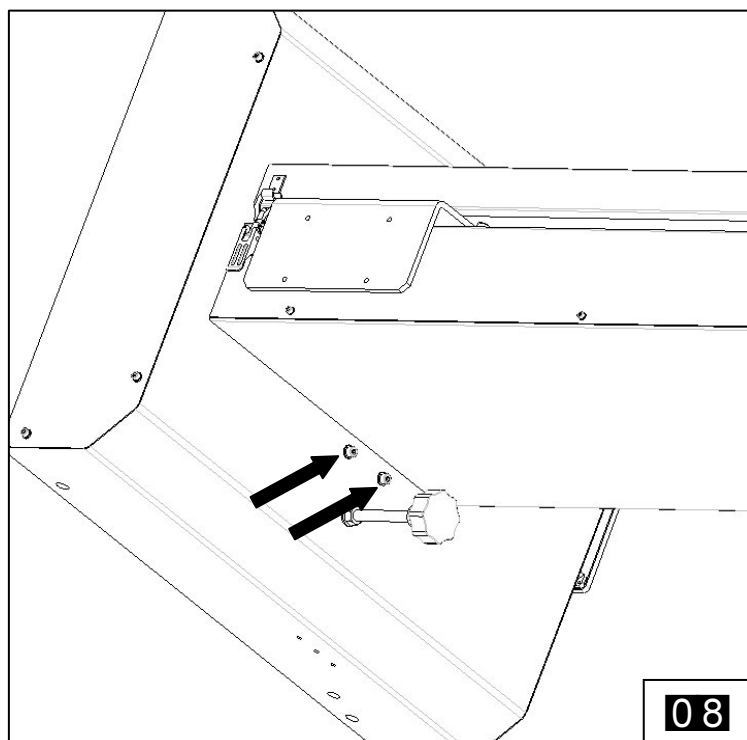
- Open completely the main inspection door. **06**



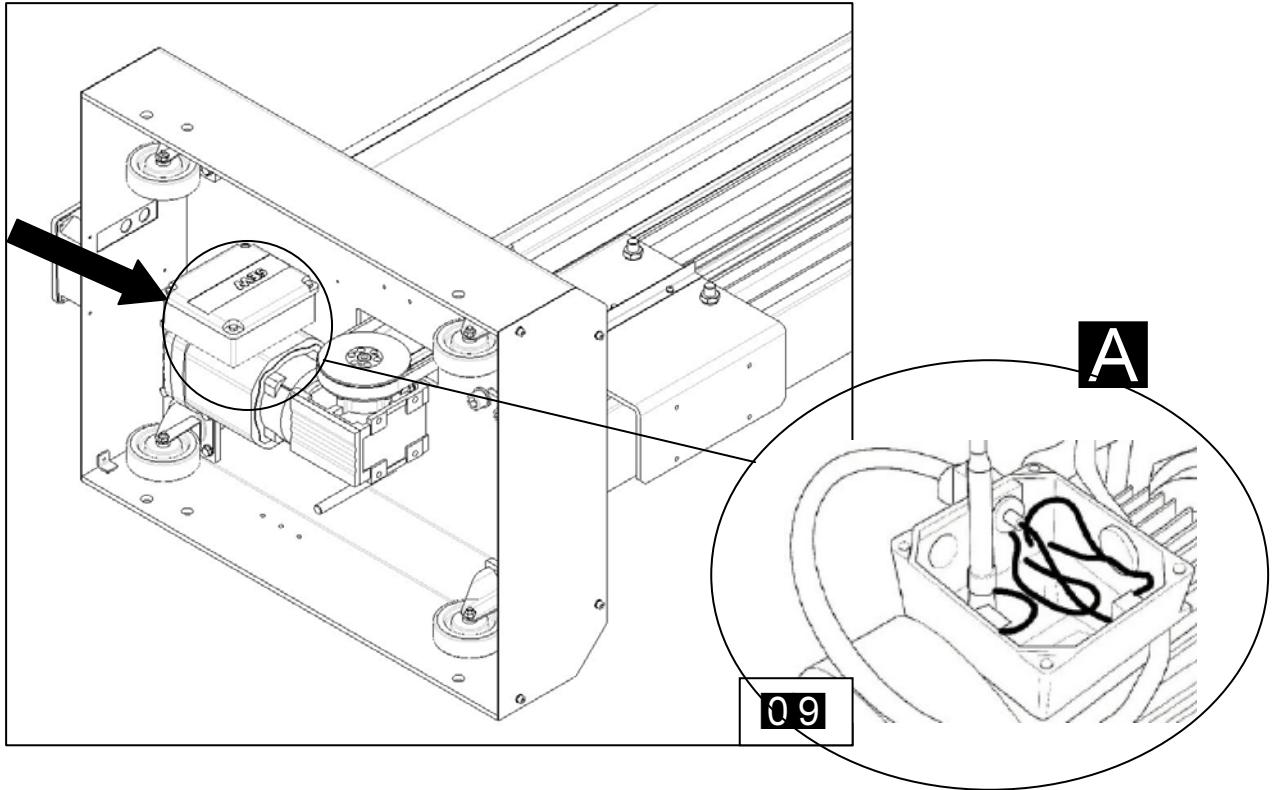
- Loosen the 2 screws inside the column which fix the gearmotor to the column. Do not remove it completely to avoid that the gearmotor falls down. **07**



- Loosen the 2 external screws which fix the gearmotor to the column. Do not remove it completely to avoid that the gearmotor falls down. **08**



- Using a suitable wrench, open the electric box, located next to the gearmotor **09**
- When the box is open, loosen the clamps and remove the cable of the gearmotor. **09** □ **A**

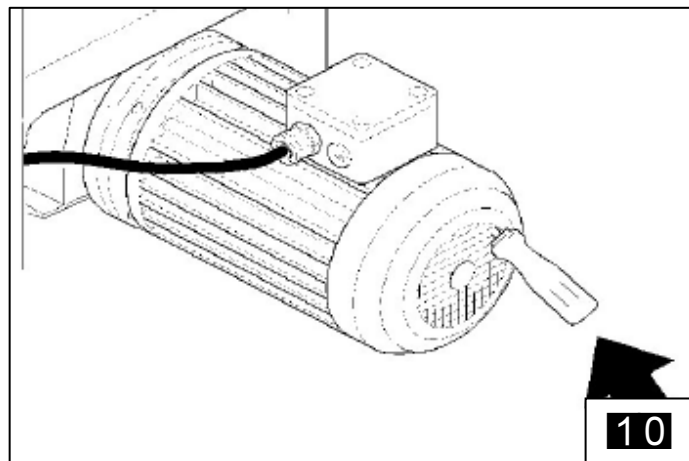


- With the help of another operator, remove the screws that support the gearmotor and remove it. Place it on a working desk before carrying out the next operations.

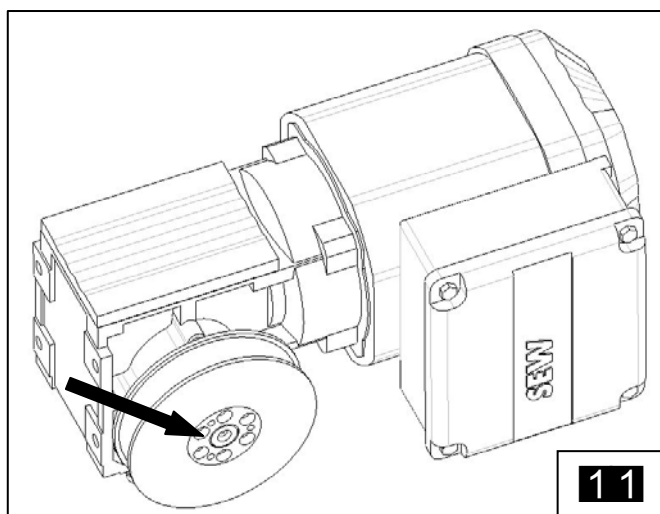


ATTENTION: by removing the supporting screws of the gearmotor, if not hold properly by a second operator, it can fall down causing crashing danger for the operator or damages to the machine itself.

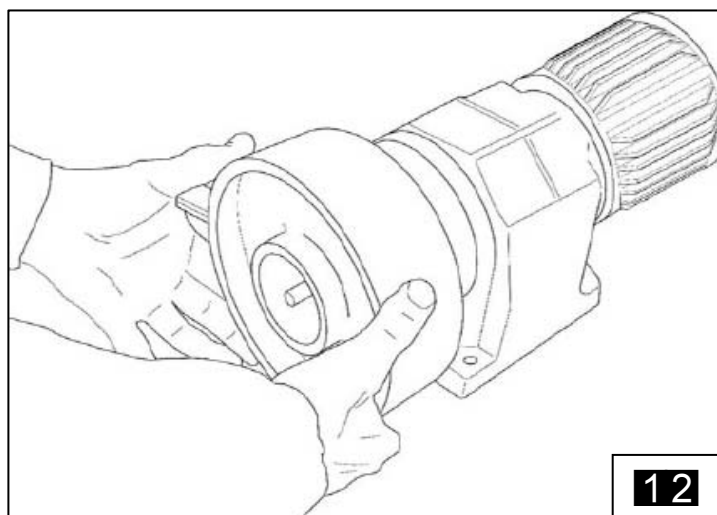
- Block the electric motor by inserting a screwdriver into the inner cooling fan. **10**



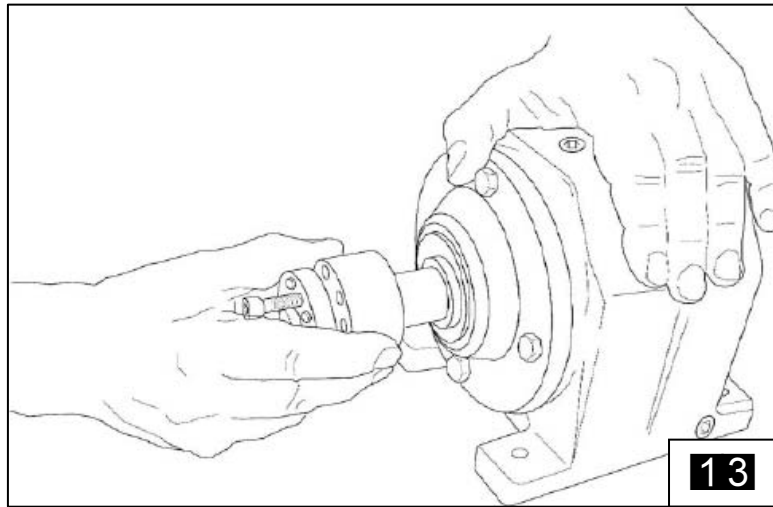
- Unscrew the screws of the ring block that fix the pulley, using a suitable wrench. **11**



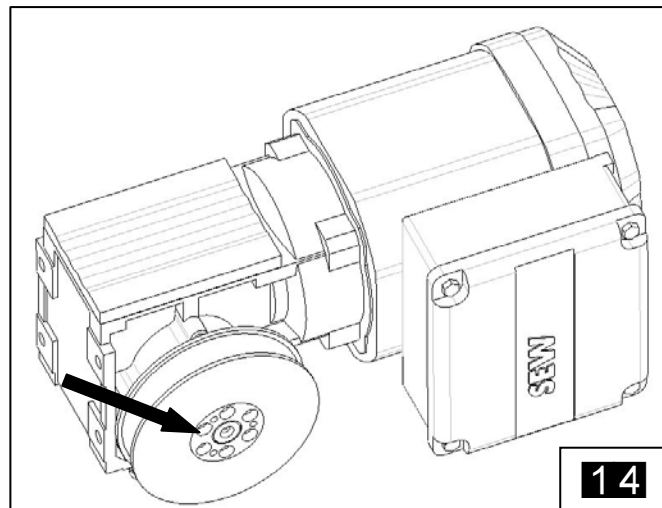
- Insert the screws, removed previously, into the special dismantle holes and screw them to remove the pulley. **12**



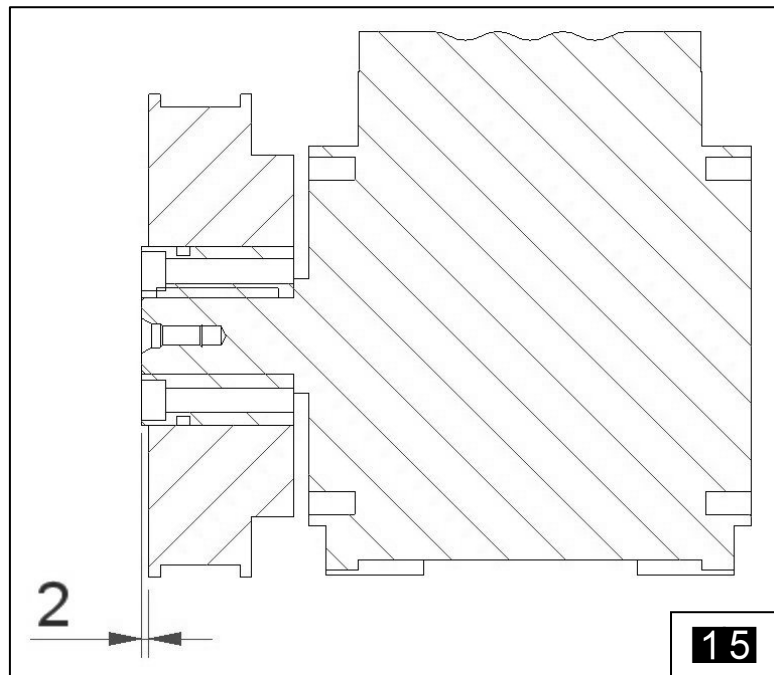
- Remove the ring block from the shaft. **13**



- Clean the ring block with a cloth.
- Assemble the ring block on the new gearmotor, without closing the screws.
- Place the pulley on the driving shaft, tighten the clamping screws of the ring block, cross ways, to avoid friction. **14**



- To insert correctly the pulley on the ring block assembled on the driving shaft, refer to the following drawing. **15**



- Carry out the reverse operations to assemble completely the gearmotor and start up the machine.

NOTE: Refer to **Chapter 9** to tighten the belt correctly.



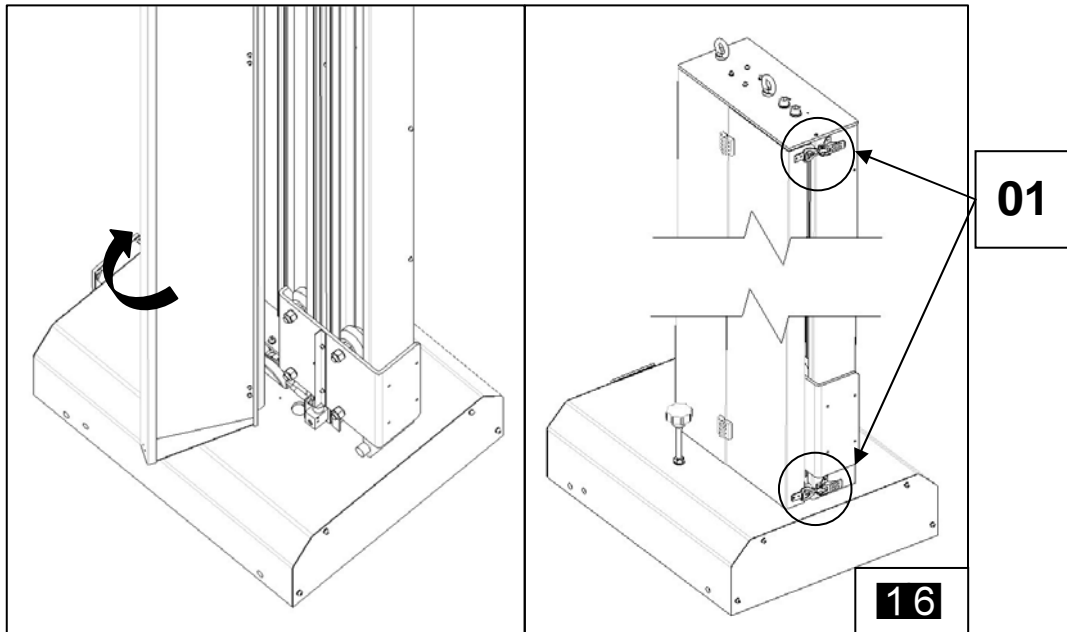
ATTENTION: After the connection of the gearmotor, check its correct direction of rotation.

12.6 Adjustment of the trolley wheels

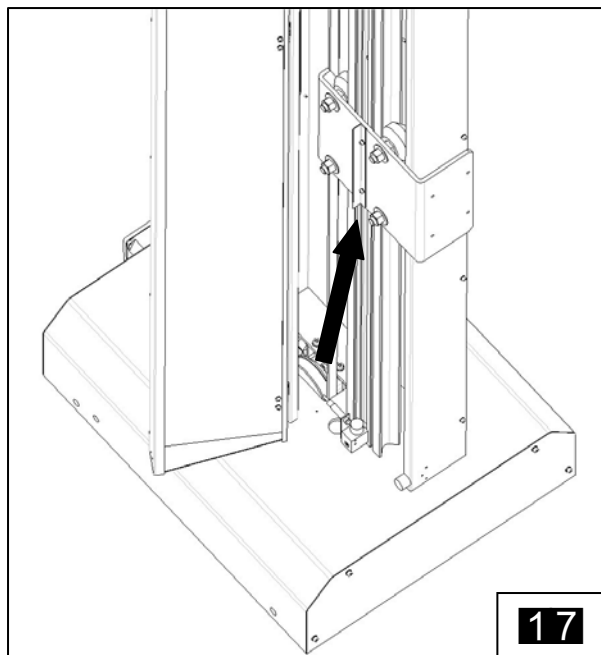


To adjust the trolley wheels, do as follows:

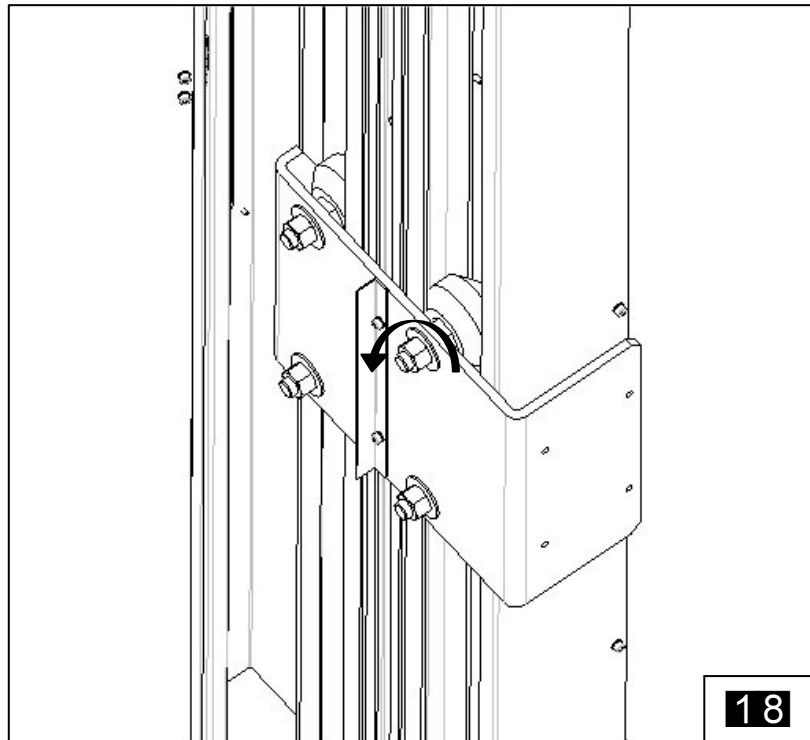
- Turn off the power supply to the machine and remove the guns supporting-arms
- Open the main door via the two draw latches located down near the basement and on top of the column **16(01)**



- Balance the machine so that the trolley is in a useful position for the operator **17**
See **Chapter 12.8** to balance the machine.

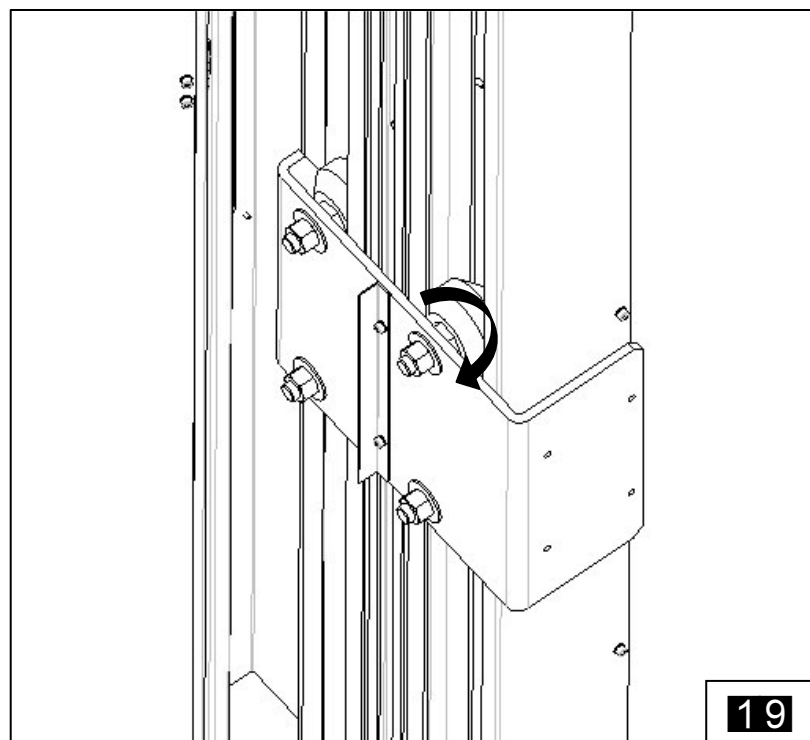


- Loosen the nut that blocks the eccentric hubs of the wheels. **18**



- With a suitable wrench, turn the eccentric hub until the wheel is in contact with the guide. **19**

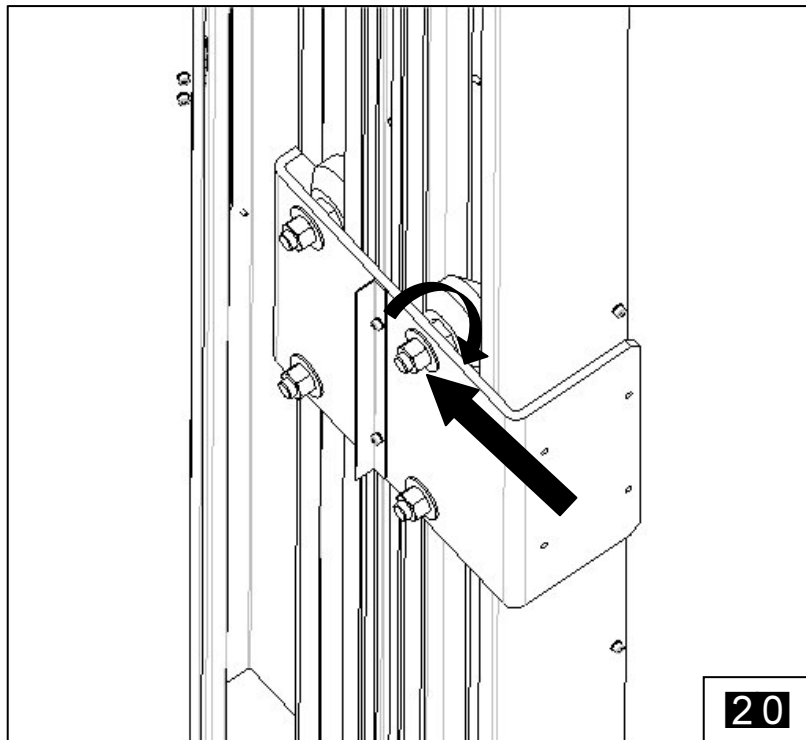
NOTE: When finished, the wheel must turn easily by hand but create a certain friction on the guide.





ATTENTION: it is important that there is no play between the wheel and the guide but at the same time the wheel must not be blocked.

- Holding the hub, tighten the lock nut with a suitable wrench. **20**

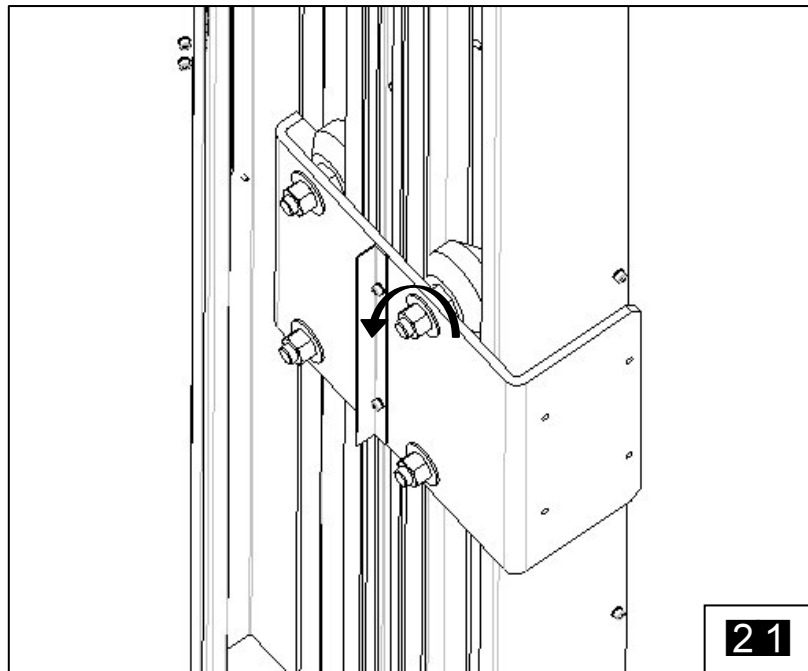


ATTENTION: Avoid excessive loads on the wheels so as to damage the surface.

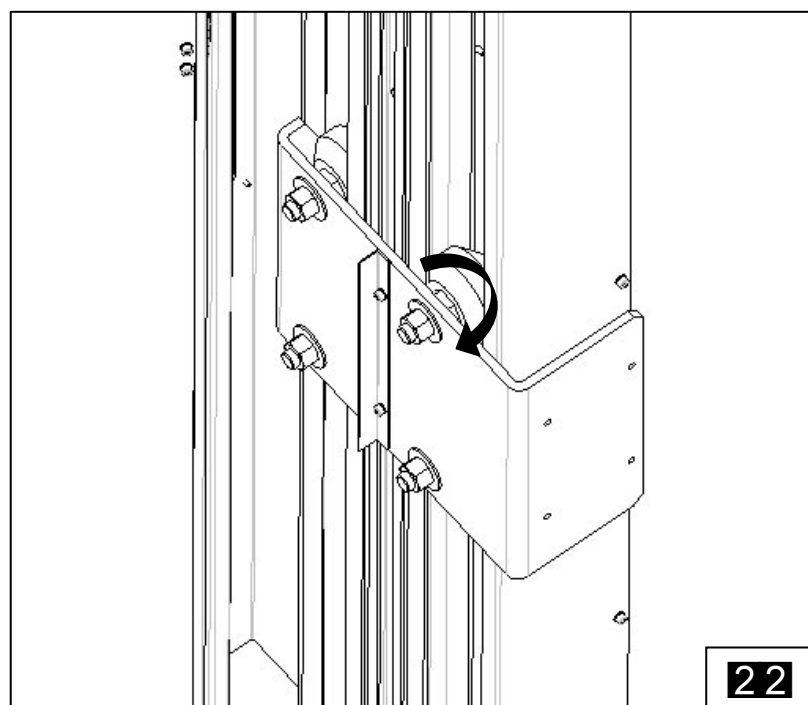
12.7 Replacement of trolley wheels



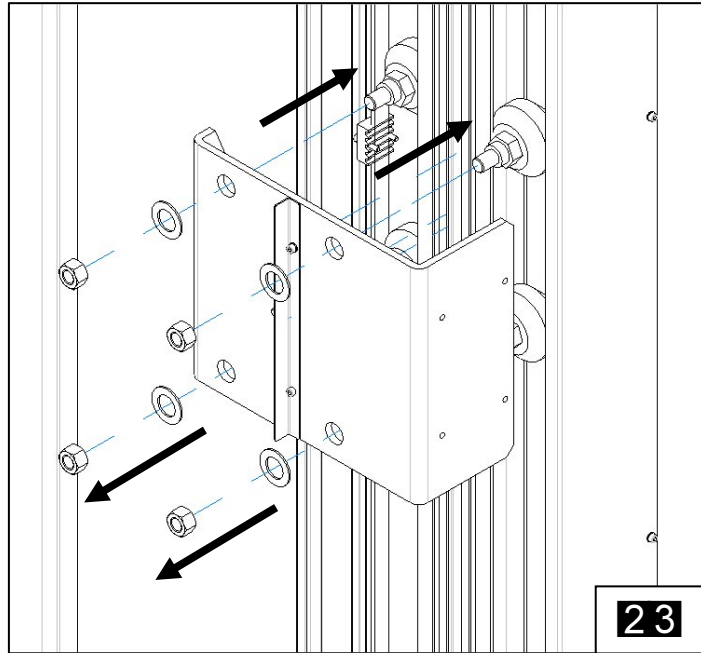
- To replace the wheels of the trolley, follow the operations described in the previous paragraph up to loosen the 4 nuts that block the hubs of the wheels, using a suitable wrench. **21**



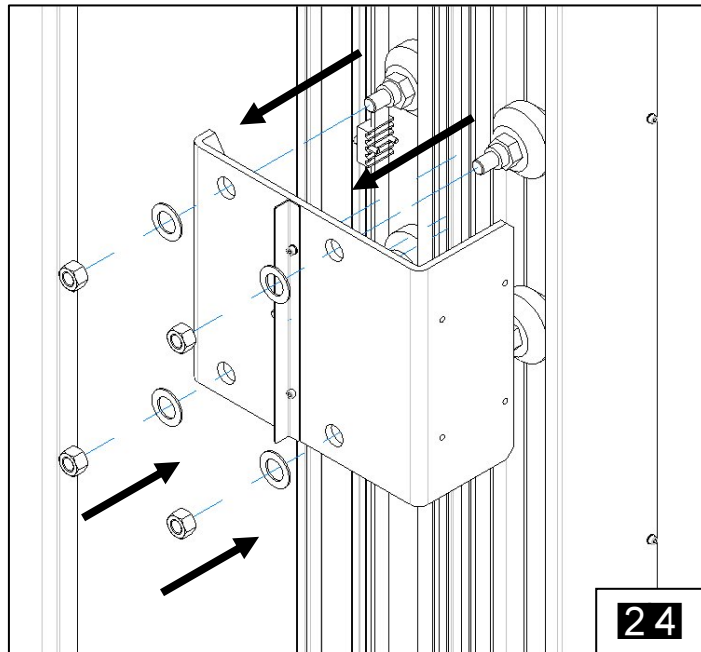
- Turn the eccentric hub with a suitable wrench, so as to increase the play between the wheel and the guide. **22**



- Remove the 4 wheels (2 eccentric + 2 concentric). **23**



- Assemble the 4 new wheels (2 eccentric + 2 concentric), keeping the same positions. **24**



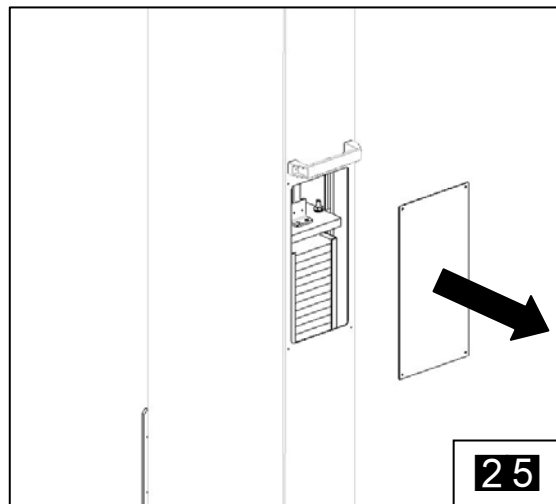
- Adjust the wheels, following the operations described in the previous paragraph.
- Do the reverse operations for the reassembling.

12.8 Adjustment of the counterweight



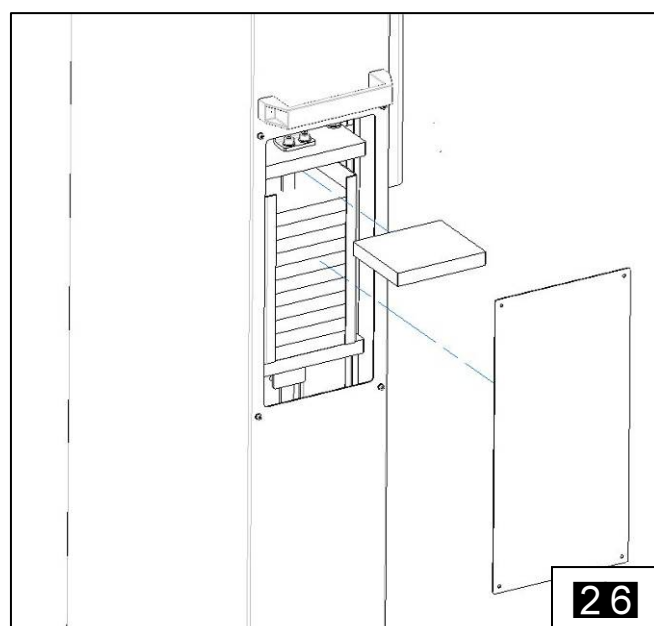
To adjust the counterweight, do as follows:

- Turn off the power supply to the machine.
- Remove the rear door and move the trolley so that the counterweight slides up/down up the reach the opening. **25**



ATTENTION: to make the work easier and for safety reasons, it is better that the following operations are carried out by two operators.

- Add or remove the plates of the counterweight, as indicated in the picture **26**, to balance the machine.



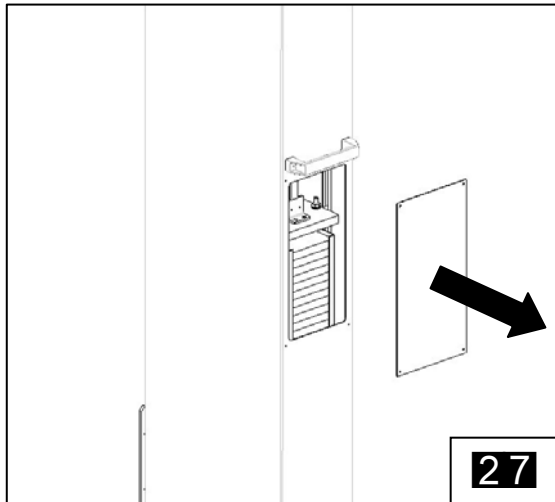
- Assemble the rear door.

12.9 Replacement of the counterweight sliding guides

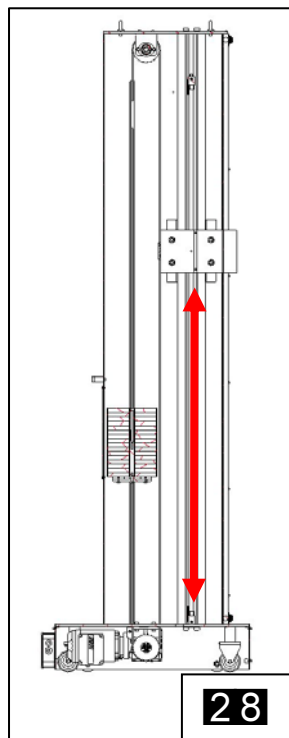


To replace the counterweights sliding guides do as follows:

- Turn off the power supply to the machine.
- Remove the rear door. **27**,

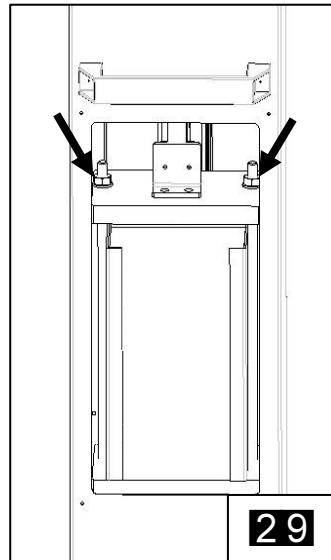


- Position and block the gun supporting-arm so as the counterweight is in line with the opening. **28**,



- Refer to **Chapter 12.8** to remove all the counterweight plates.

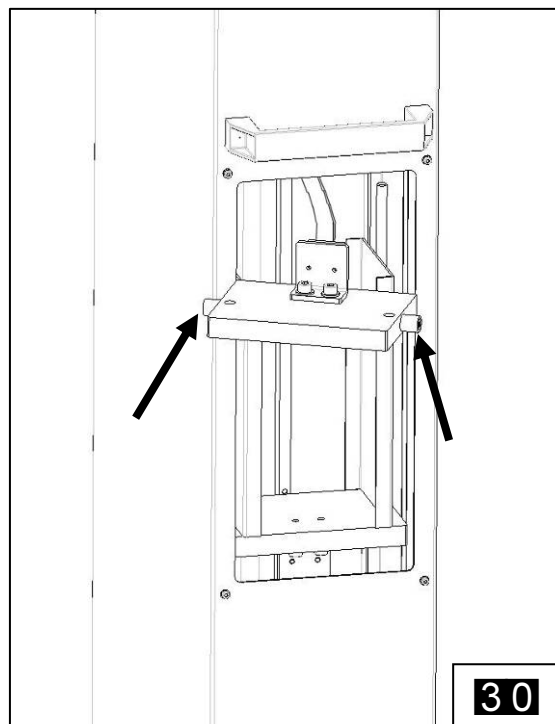
- Operate on the nuts, indicated in the picture **29**, to slacken the belt.



- Tilt sideways the counterweight plate, shown in the figure, so as to remove the sliding guides from its seats with a suitable wrench. **30**



ATTENTION: it is necessary to hold the counterweight structure so as to avoid that it falls down. Hence a second operator is required for safety reason.



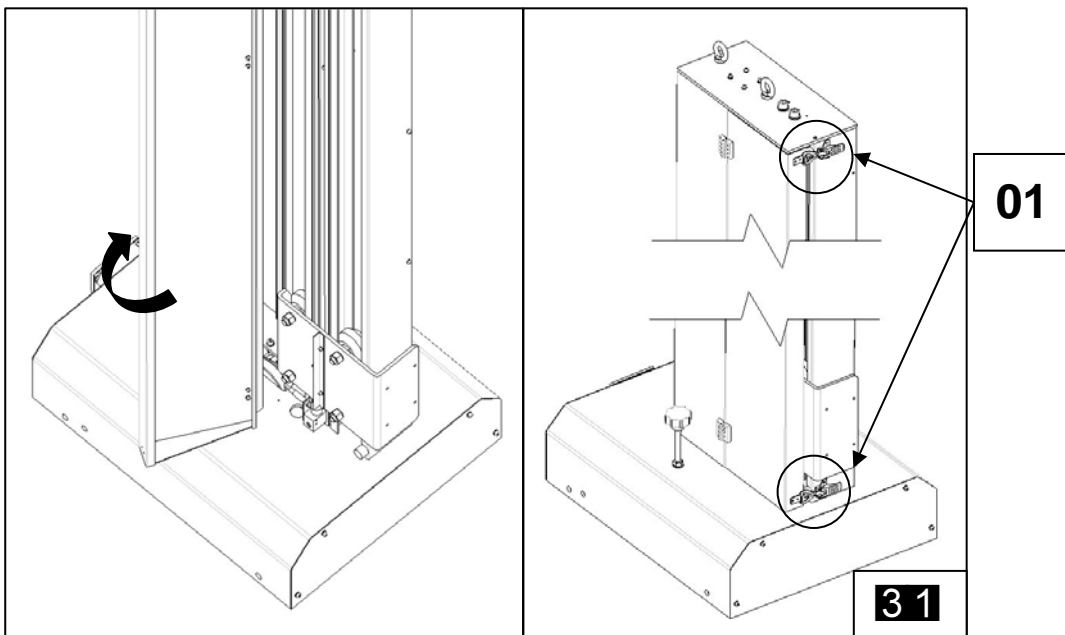
- Replace them with new counterweight guides.
- Adjust the belt tension (see the relative Chapter).
- Close the rear door and remove the backstop to the gun supporting-arm.

12.10 Adjustment of the hardware limit of the stroke

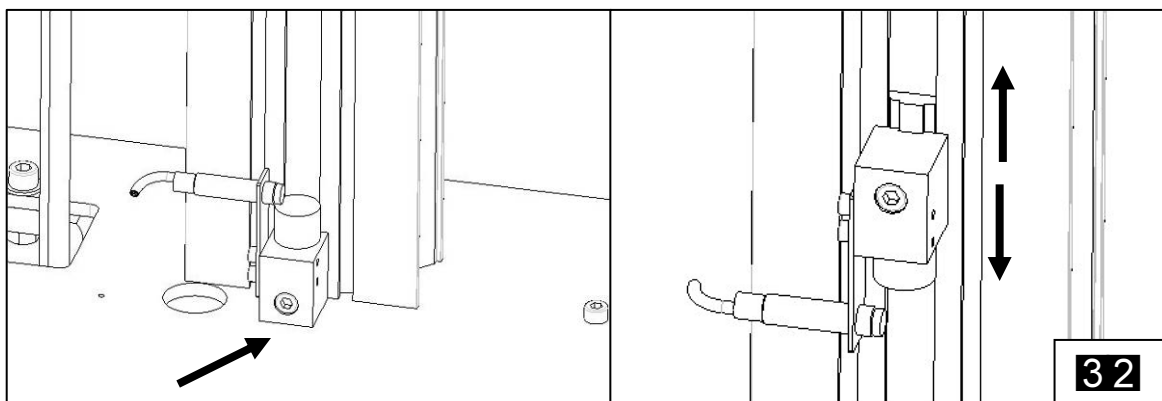


If not different defined in the order, the machine is supplied with stops and limit switches positioned at maximum stroke. In case of necessary changes, do as follows:

- Turn off the power supply to the machine.
- Remove the gun supporting-arm.
- Open the main door via the two draw latches located down near the basement and on top of the column **31** (01)



- Unscrew the screw that fix the limit switch group and slide it up to the required position. **32**



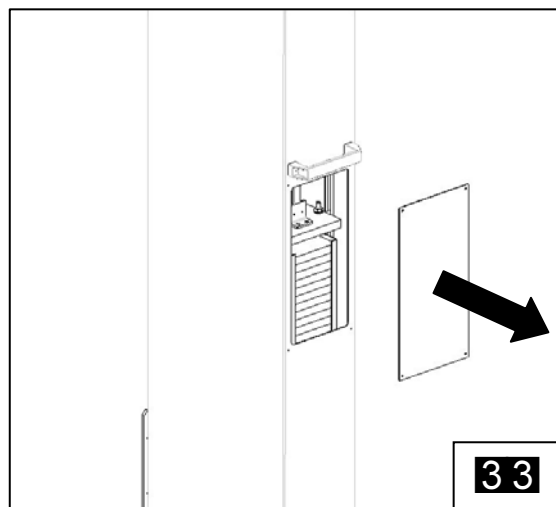
ATTENTION: make sure that the electrical cable is correctly positioned.

12.11 Replacement of the belt

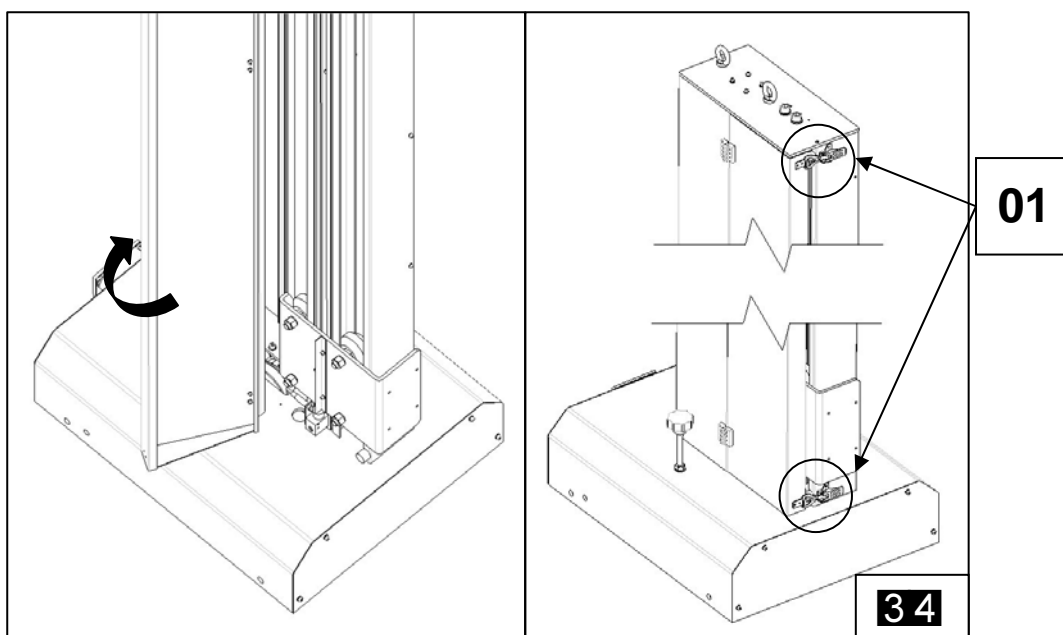


ATTENTION: to perform this maintenance two persons are necessary.

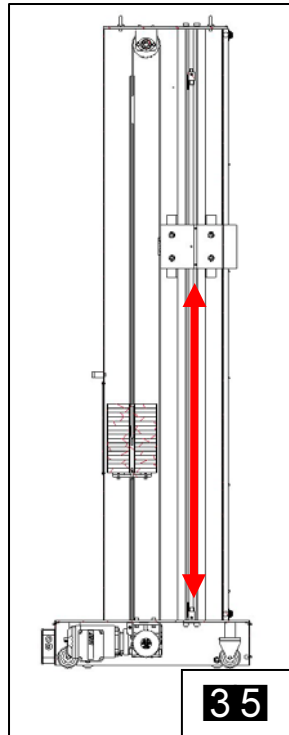
- Turn off the power supply to the machine.
- Remove the gun supporting-arm.
- Remove the rear door. **33**



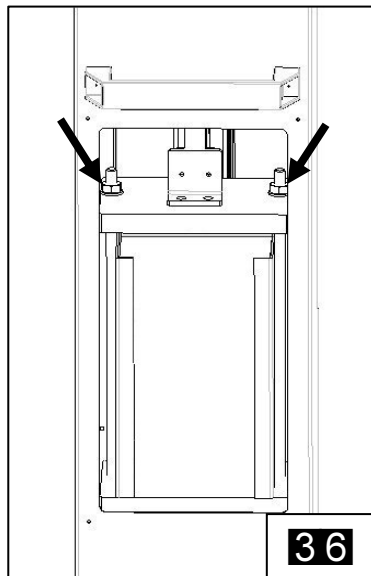
- Open the main door via the two draw latches located down near the basement and on top of the column **34 (01)**



- Position and block the gun supporting-arm so as the counterweight is in line with the opening. **35**,

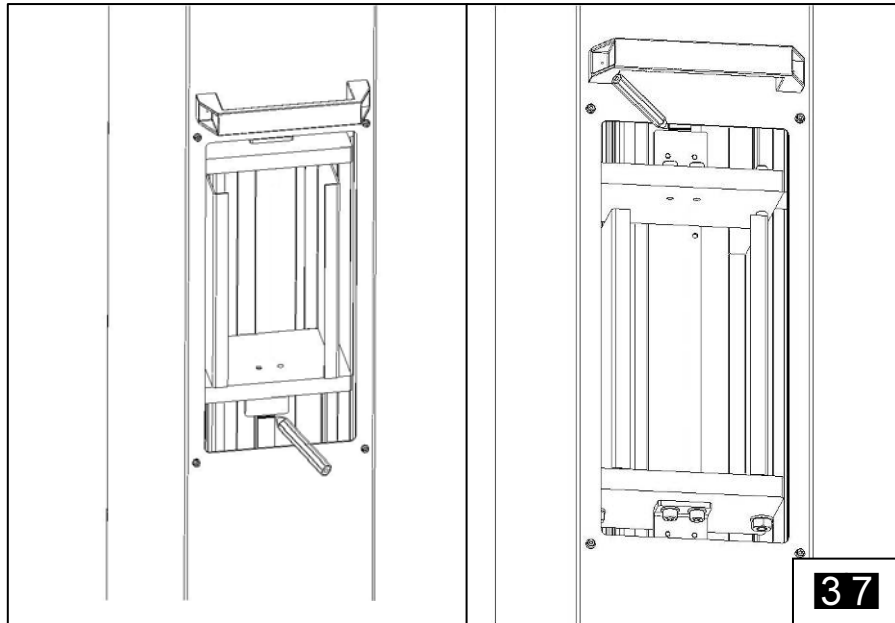


- Operate on the nuts, indicated in the picture **36**, to slacken or tension the belt.

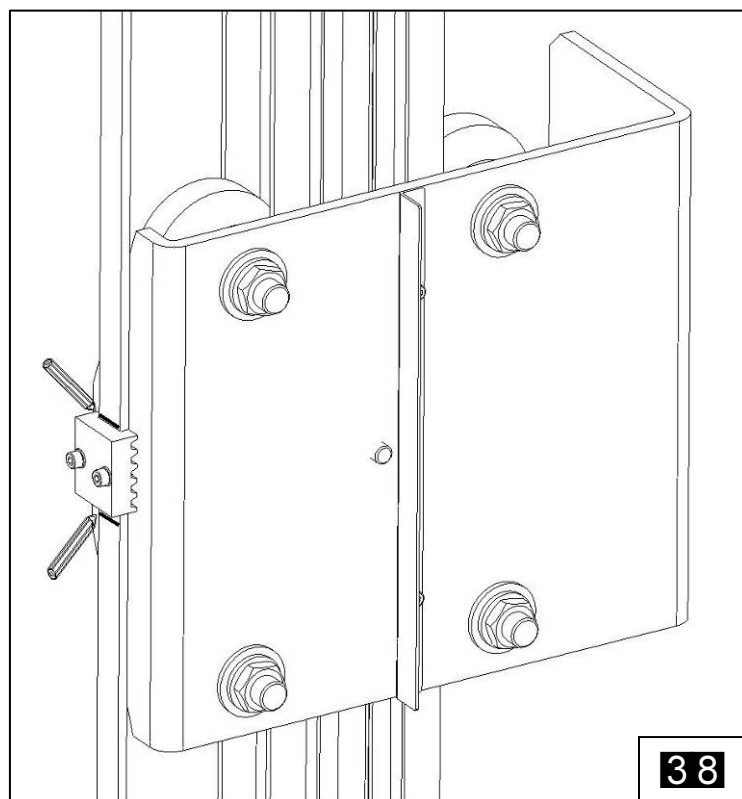


- Refer to **Chapter 12.8** to remove all the counterweight plates.

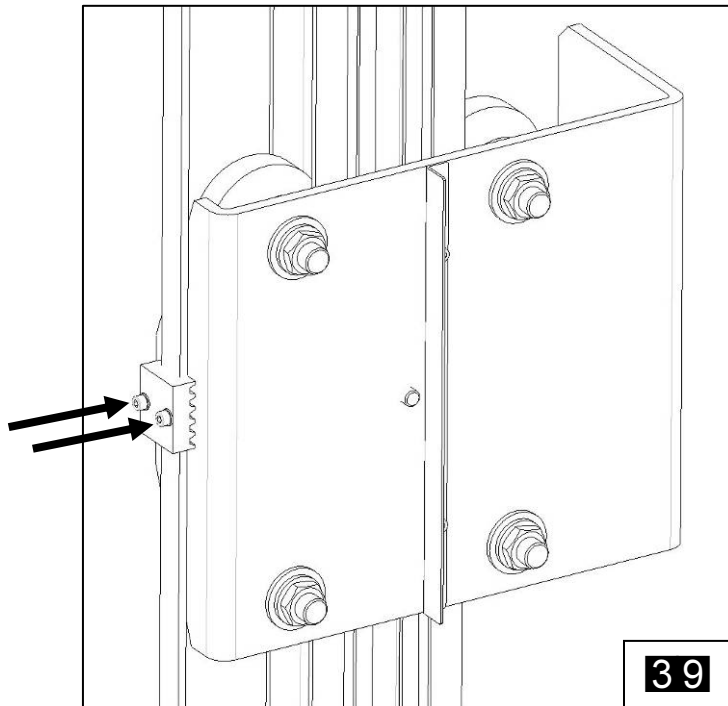
- Mark the belt (up and down) in order to locate the assembly position. **37**



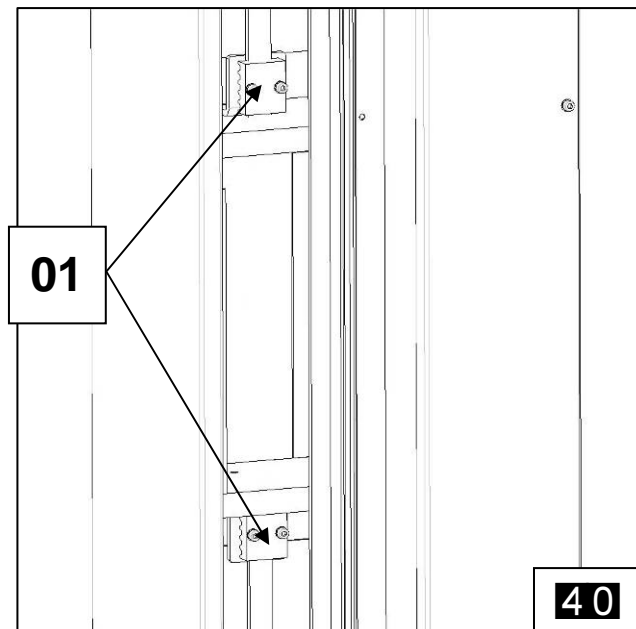
- Mark the belt in correspondence to the toothed plate that fix the belt to the trolley. **38**



- Using a suitable wrench extract the two screws to remove the belt from the trolley, taking care to hold it and put in to the lower limit switch. **39**

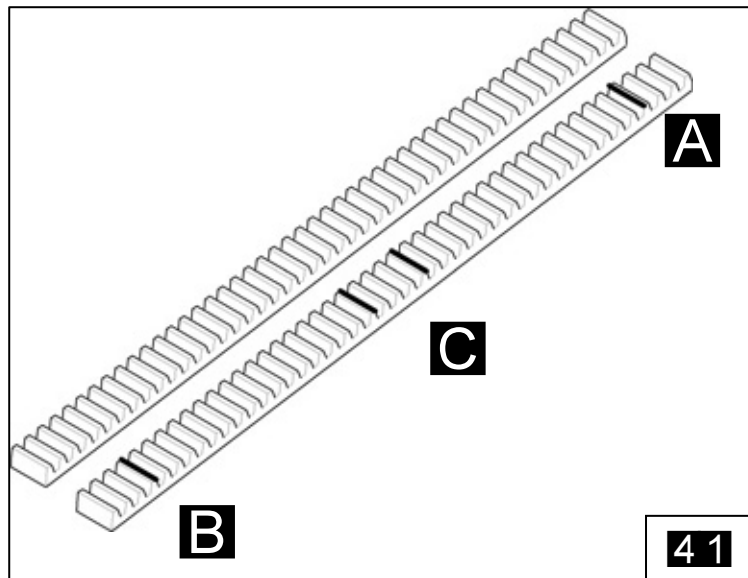


- Remove the toothed belt from the counterweight group unscrewing the two screws that fix it to them through the toothed plates **(01)**. **40**



- The belt is now free to be removed completely from the reciprocator.

- Lay down the toothed belt to replace on the ground near the old one, then report the marks from the old belt to the new one.



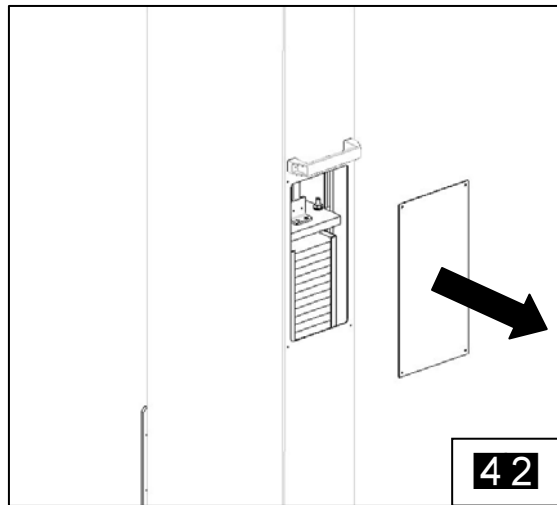
- Pos. **41**(A) - Assembly position of upper counterweight
- Pos. **41**(B) - Assembly position of lower counterweight
- Pos. **41**(C) - Fixing position of the trolley
- Replace the belt by carrying out the reverse procedure.
- Tension the belt correctly following the instructions described in **Chapter 12.12**.
- Close the rear panel and remove the backstop and reassemble the gun supporting-arm.

12.12 Adjustment of the belt tension



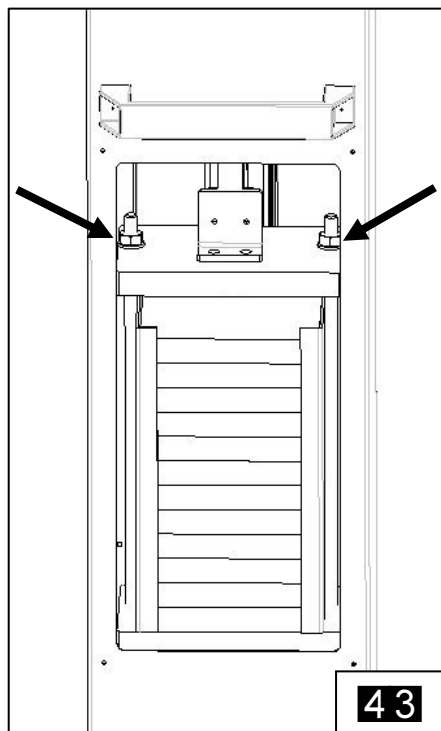
To adjust the tension of the belt, do as follows:

- Turn off the power supply to the machine.
- Remove the rear door and move the trolley so that the counterweight slides up/down up the reach the opening. **42**

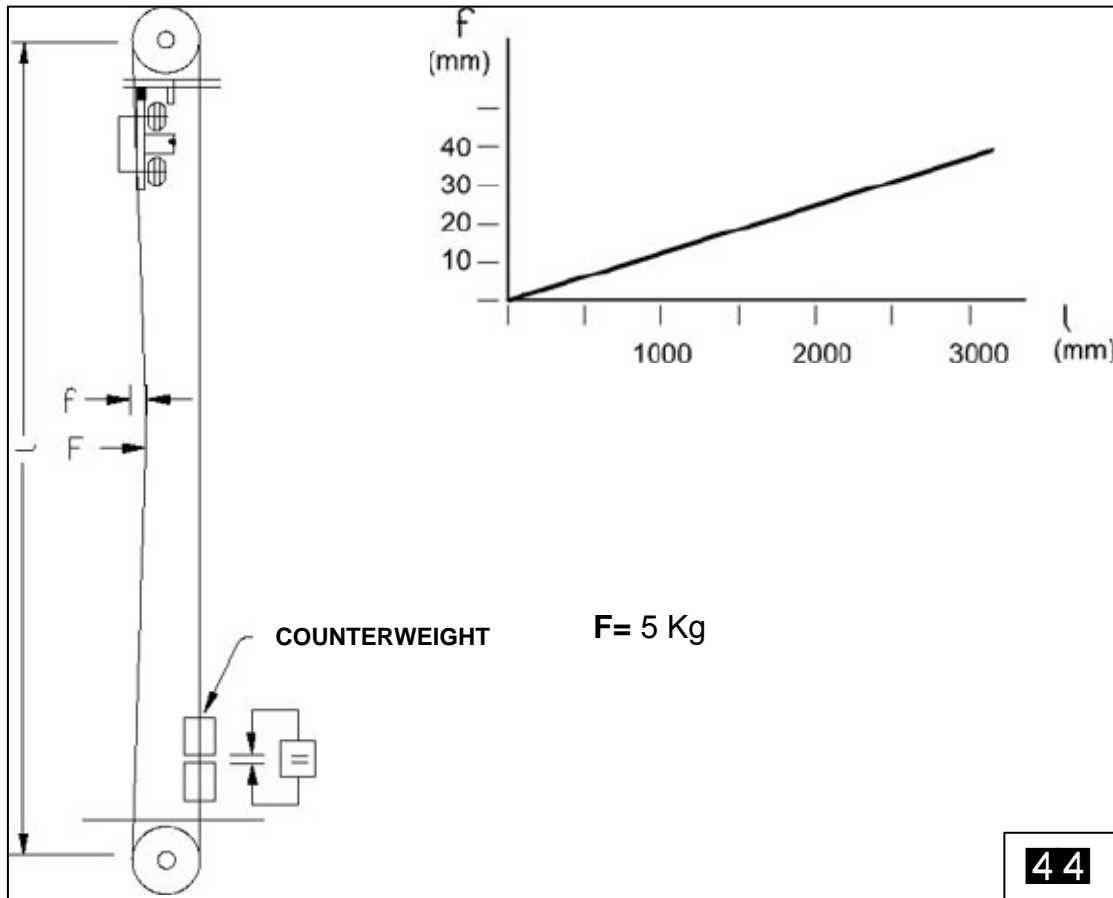


- Operate on the nuts, indicated in the picture **43**, to slacken or tension the belt.

NOTE: Once finished, check the plates are parallel that clamp the belt.



For the correct belt tension, see the diagram below. **4 4**

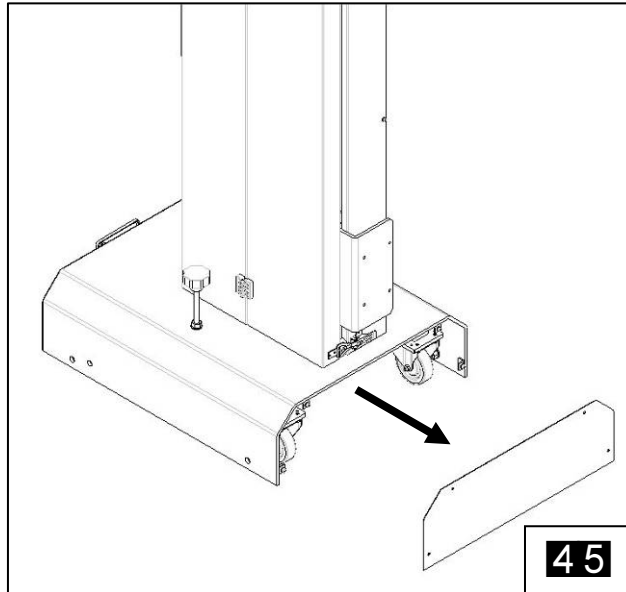


- Assemble the read door.

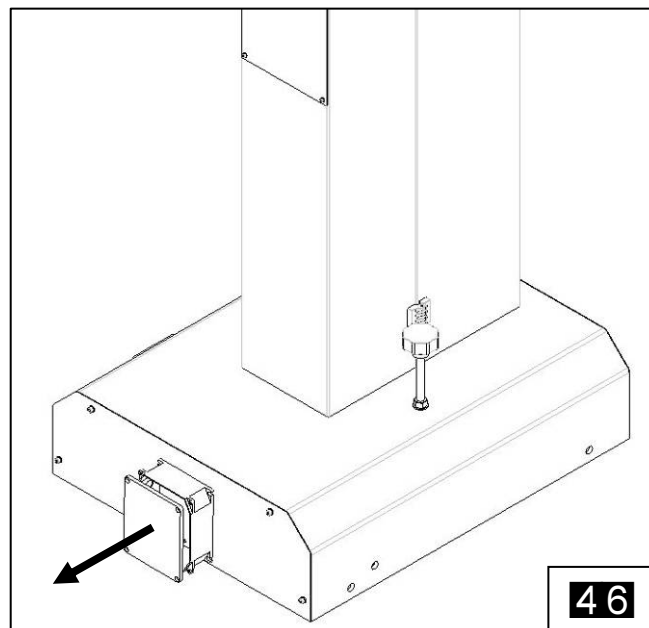
12.13 Replacement of the encoder (if present)



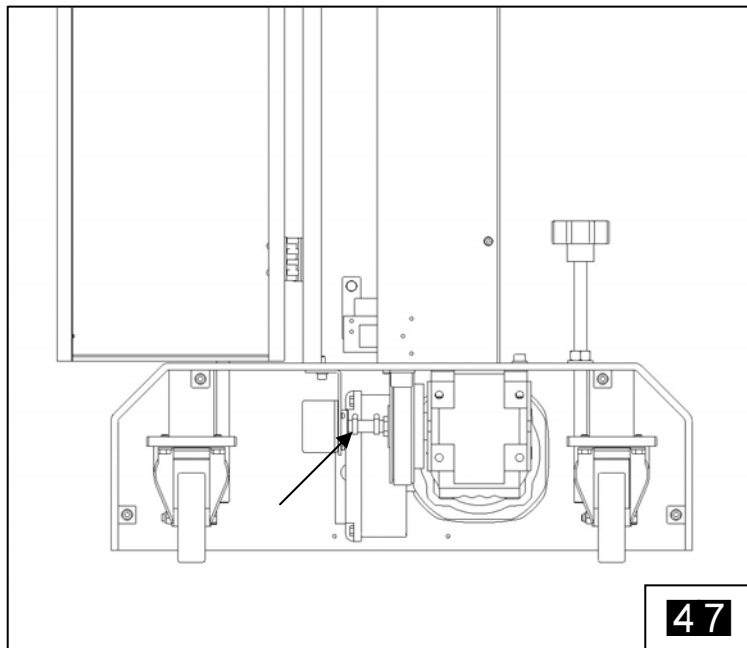
- Turn off the power supply to the machine.
- Remove the front safety guard as indicated in the picture. **45**



- Open the junction box and disconnect the encoder. **46**



- Loosen the joint clamp near the encoder and unscrew the screws that fix it. **47**



- Assemble the new encoder on the support, taking care to insert the shaft into the pipe of the joint and block it with the relative clamp.
- Connect the encoder to the junction box (see wiring diagrams).
- Close the junction box and the front safety guard of the machine.

12.0 MAINTENANCE FOR HF80

12.1 General safety advice

See **Chapter 12.1** “Maintenance for HF30”

12.2 Technical competence

See **Chapter 12.2** “Maintenance for HF30”

12.3 Periodical maintenance table

See **Chapter 12.3** “Maintenance for HF30”

12.4 Summery table of suggested spare parts

The following components are subject to wear and so a suitable stock should be kept for spare parts.

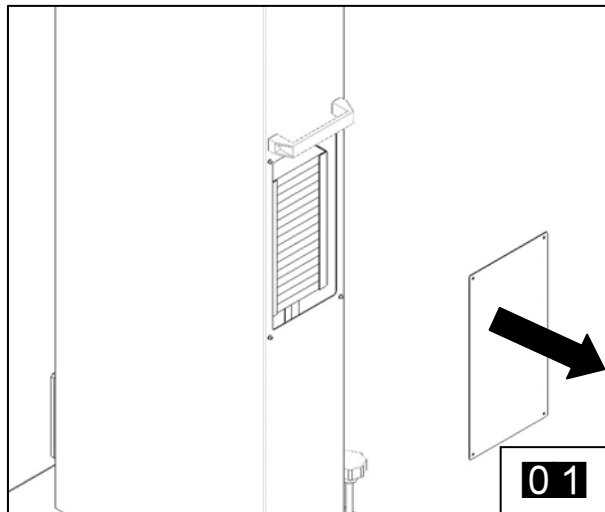
Part Number	Description
7034345	Toothed belt, HF80 17 (120.1904.17)
7034346	Toothed belt, HF80 22 (120.1904.22)
7034347	Toothed belt, HF80 27 (120.1904.27)
7034348	Toothed belt, HF80 32 (120.1904.32)
7034372	Kit,protection strip,HF30/80 1.7M (500.3006.17)
7034373	Kit,protection strip,HF30/80 2.2M (500.3006.22)
7034374	Kit,protection strip,HF30/80 2.7M (500.3006.27)
7034375	Kit,protection strip,HF30/80 3.2M (500.3006.32)
736339	Sensor,inductive,PNP,NC 12mm DIA (310.8207)
736177	Kit sliding blocks (1 concentric block + 1 eccentric block) (500.0004)
7034353	Encoder, HF series (310.8073.01)
736358	Coupling,sensor encoder,recip (120.0002)
7034339	Gearmotor assy,HF80 (400.0108)
7034350	Kit, 2 counterweight guide,HF30 (500.3003)

12.5 Replacement of the gearmotor



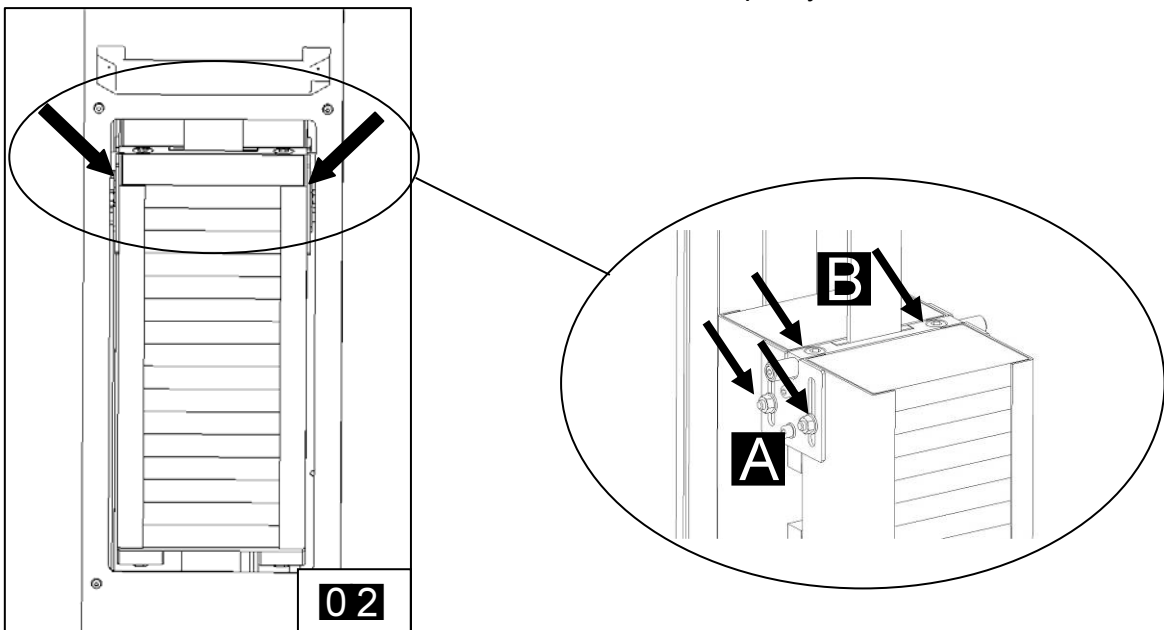
To replace the gearmotor do as follows:

- Turn off the power supply to the machine.
- Remove the gun supporting-arm.
- Remove the rear door, lift the trolley by hand so as to allow the counterweight to go down to the opening. **01**



ATTENTION: To make the work easier and for safety reasons, it is better that the following operations are carried out by two operators.

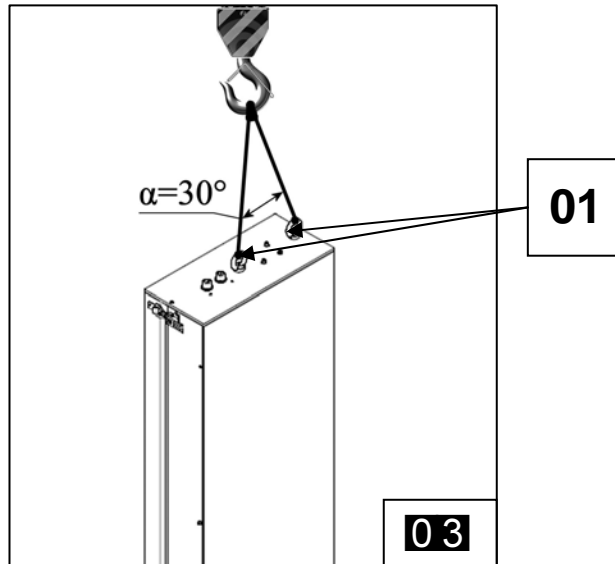
- Unscrew the two+two nuts **A** of the rod and the two upper screws **B**, with a suitable wrench, so as to slacken the belt and remove it from the pulley. **02**



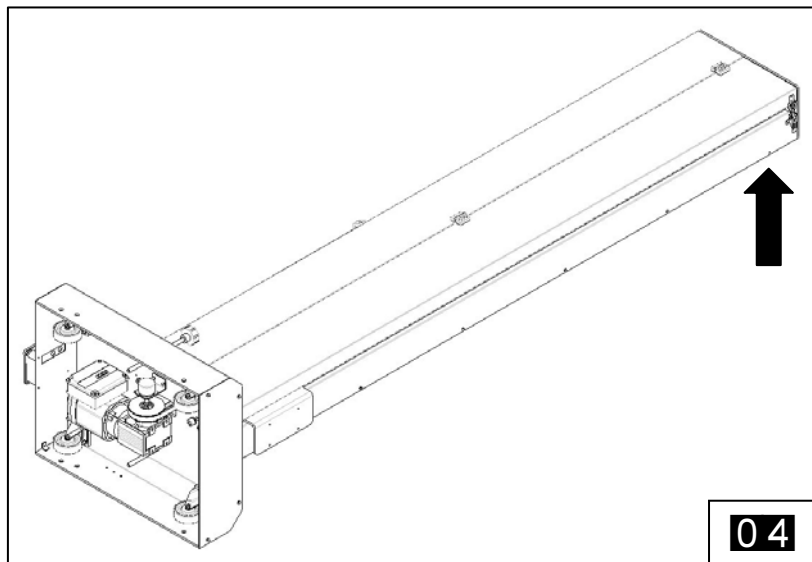


ATTENTION: do not remove the screws completely so as to avoid that the counterweight and the trolley fall.

- Place the suitable eyebolts **0301** into the holes on top of the reciprocator as in picture **03** using two ropes, with maximum corner equal to 30° and rope characteristics adapted to the lifting of loads indicated.

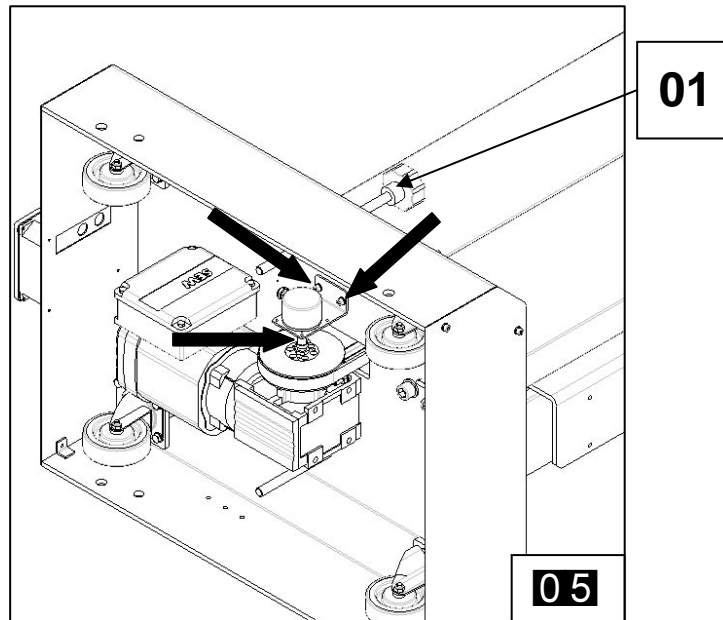


- If necessary, via a forklift truck and operating in a safety condition, lie down the reciprocator to the ground as in the picture. **04**

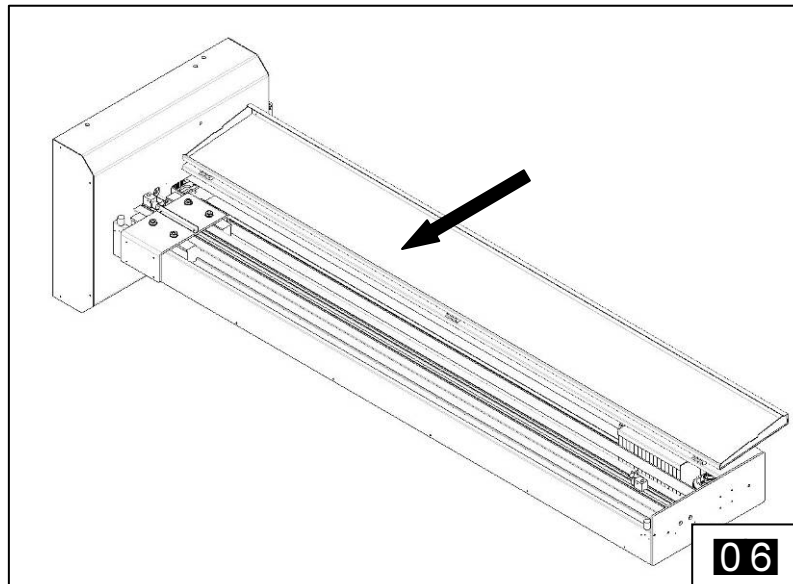


- Place some spacers at the top of the column (as indicated with the arrow in picture **04**) so that the reciprocator is horizontally levelled.

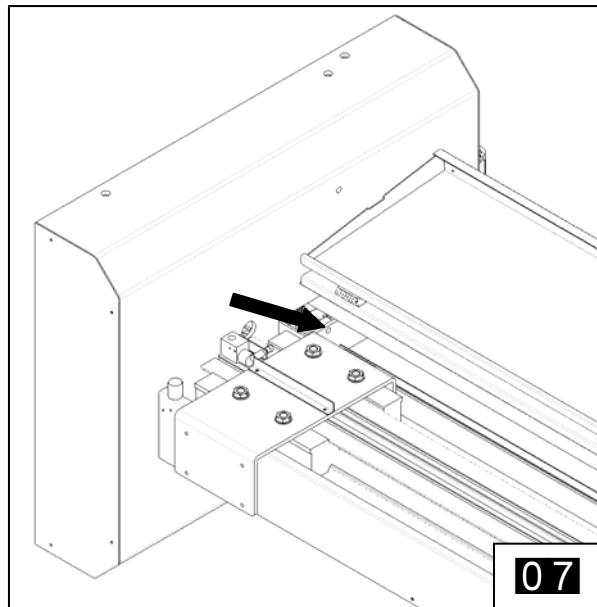
- Loose the encoder shaft by loosening the relative clamp. Remove the encoder by unscrewing its support. **05**
- Remove the levelling knob. **0501)**



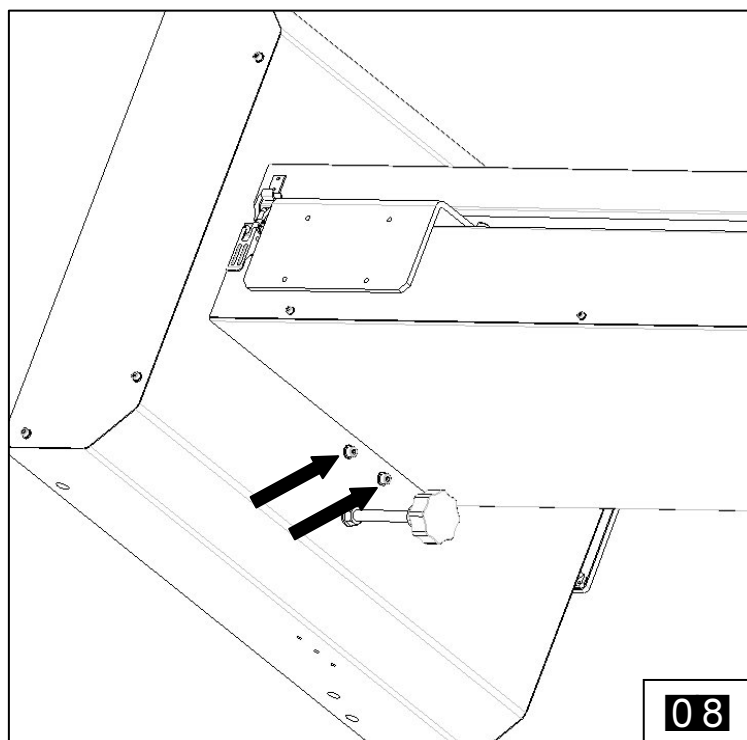
- Open completely the main inspection door. **06**



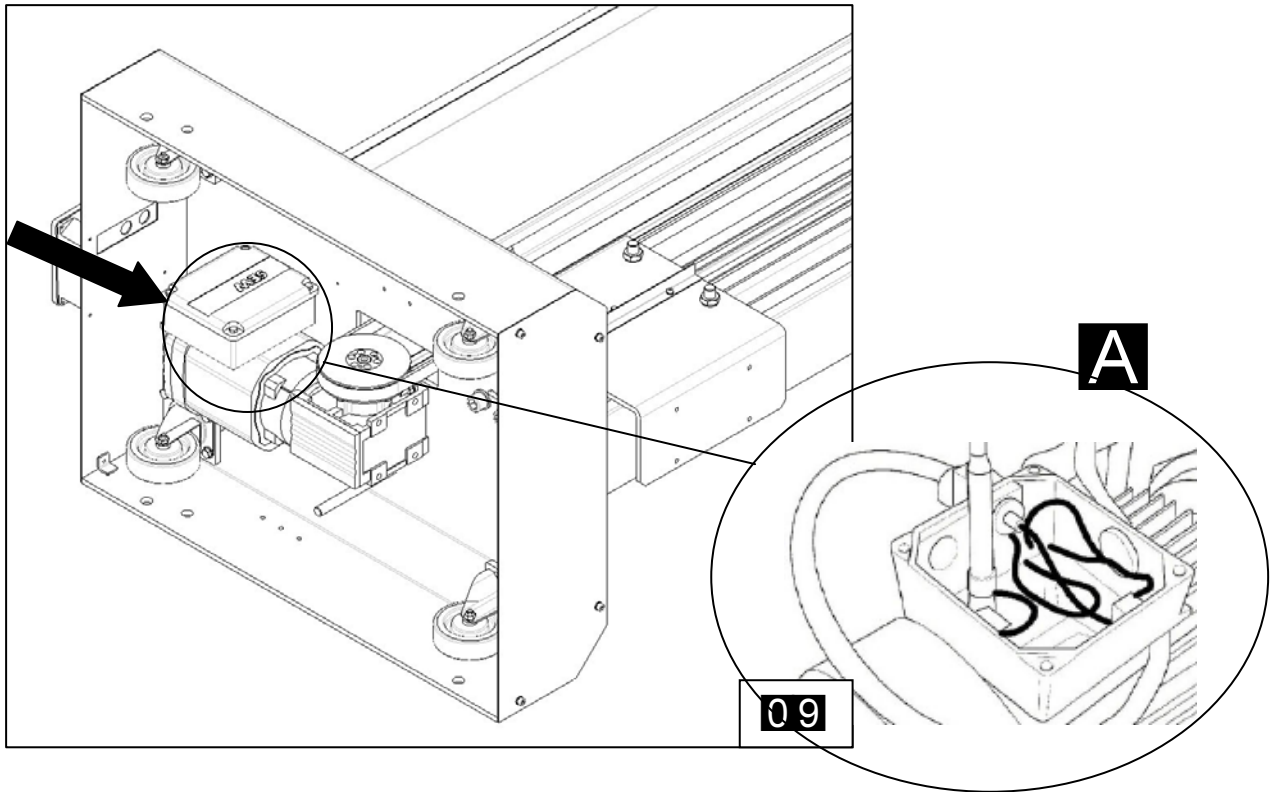
- Loosen the screw inside the column which fixes the gearmotor to the basement. Do not remove it completely to avoid that the gearmotor falls down. **07**



- Loosen the 2 external screws which fix the gearmotor to the basement. Do not remove it completely to avoid that the gearmotor falls down. **08**



- Using a suitable wrench, open the electric box, located next to the gearmotor **09**
- When the box is open, loosen the clamps and remove the cable of the gearmotor. **09** □ **A**

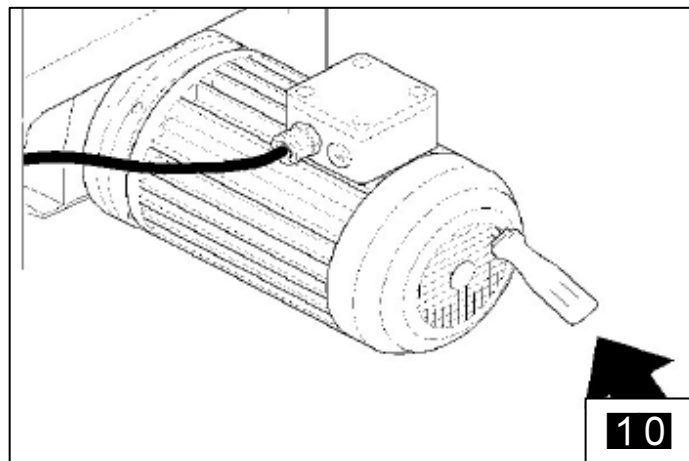


- With the help of another operator, remove the screws that support the gearmotor and remove it. Place it on a working desk before carrying out the next operations.

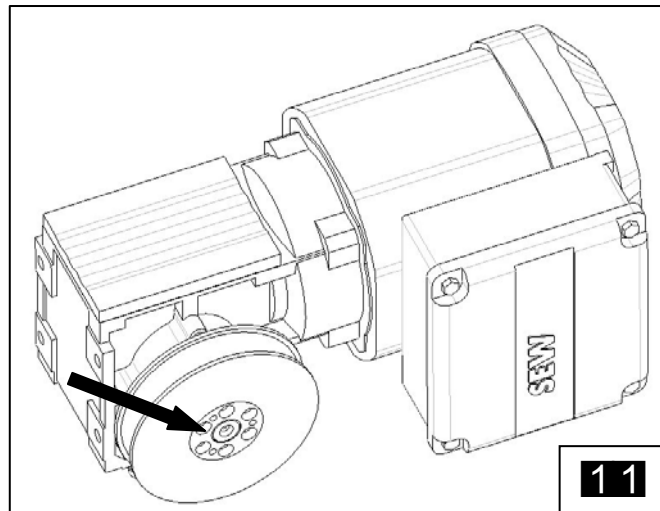


ATTENTION: by removing the supporting screws of the gearmotor, if not hold properly by a second operator, it can fall down causing crashing danger for the operator or damages to the machine itself.

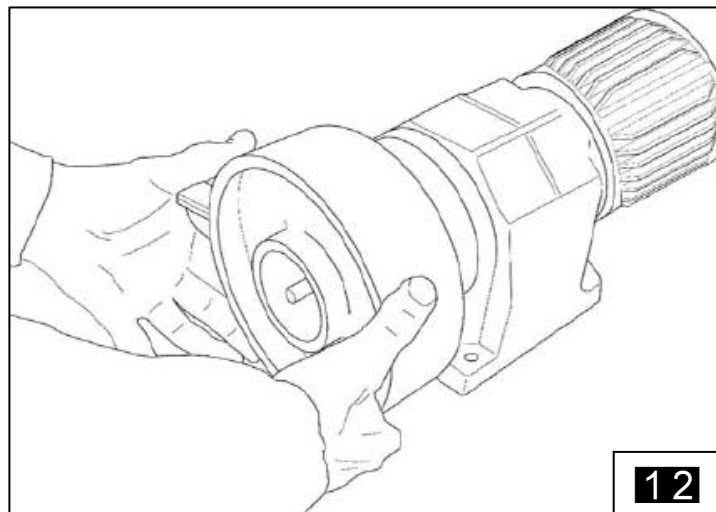
- Block the electric motor by inserting a screwdriver into the inner cooling fan. **10**



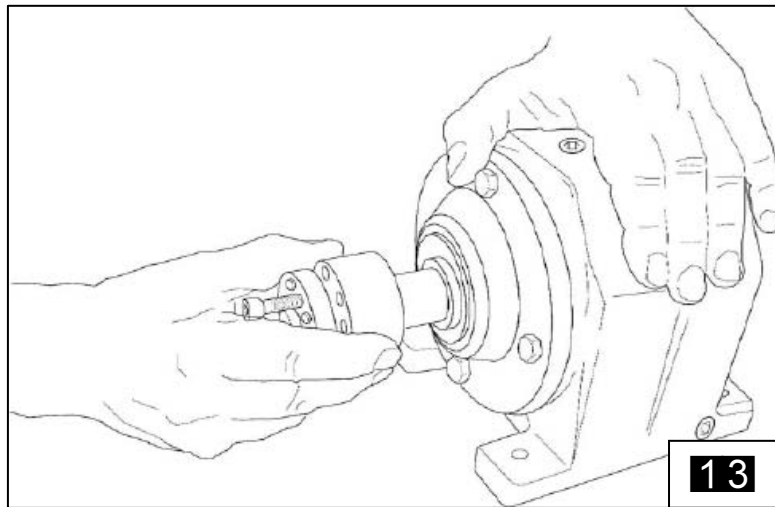
- Unscrew the screws of the ring block that fix the pulley, using a suitable wrench. **11**



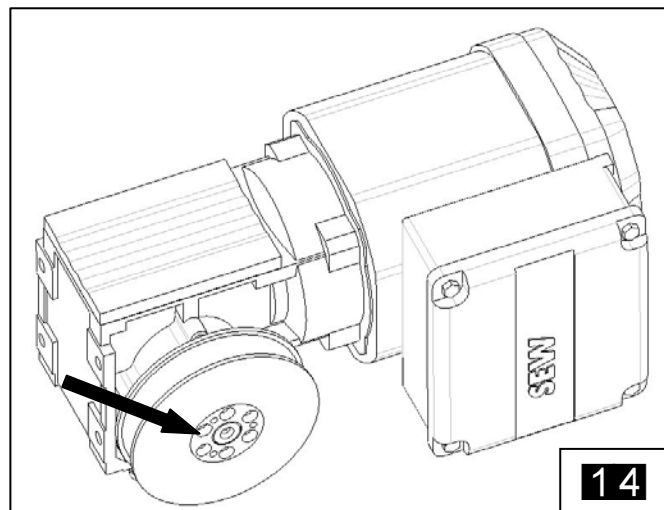
- Insert the screws, removed previously, into the special dismantle holes and screw them to remove the pulley. **12**



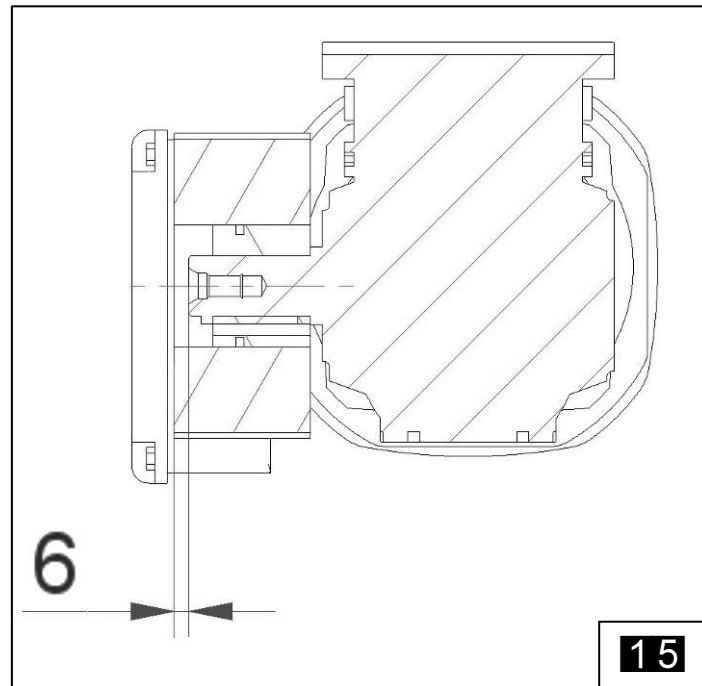
- Remove the ring block from the shaft. **13**



- Clean the ring block with a cloth.
- Assemble the ring block on the new gearmotor, without closing the screws.
- Place the pulley on the driving shaft, tighten the clamping screws of the ring block, cross ways, to avoid friction. **14**



- To insert correctly the pulley on the ring block assembled on the driving shaft, refer to the following drawing. **15**



- Carry out the reverse operations to assemble completely the gearmotor and start up the machine.

NOTE: Refer to **Chapter 12.12** to tighten the belt correctly.



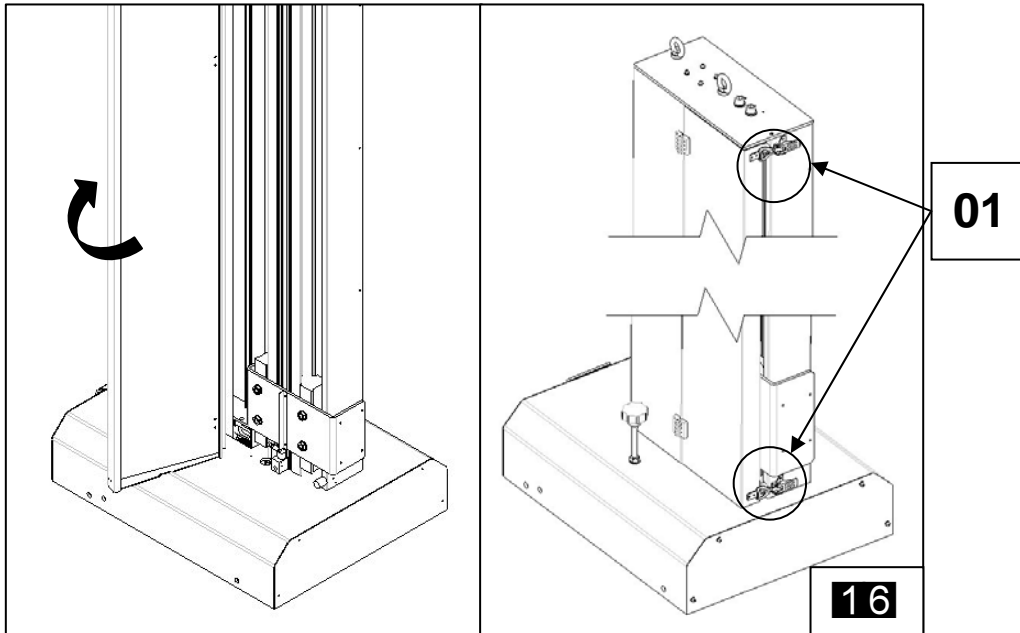
ATTENTION: After the connection of the gearmotor, check its correct direction of rotation.

12.6 Adjustment of the trolley sliding blocks

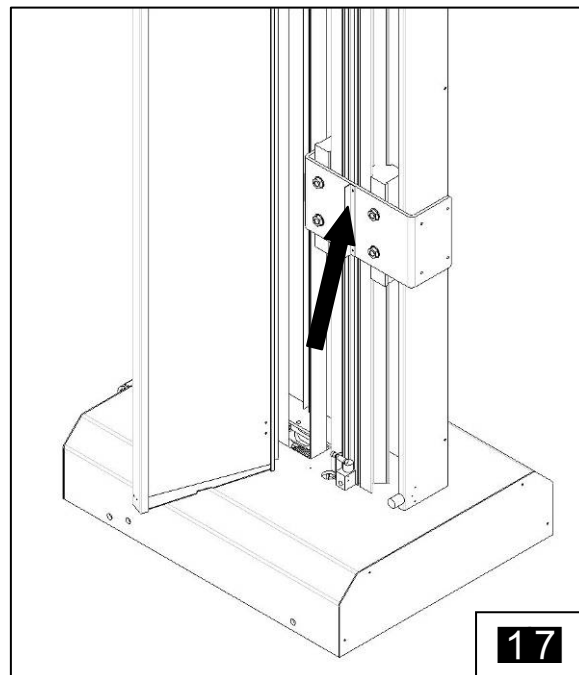


To adjust the trolley wheels, do as follows:

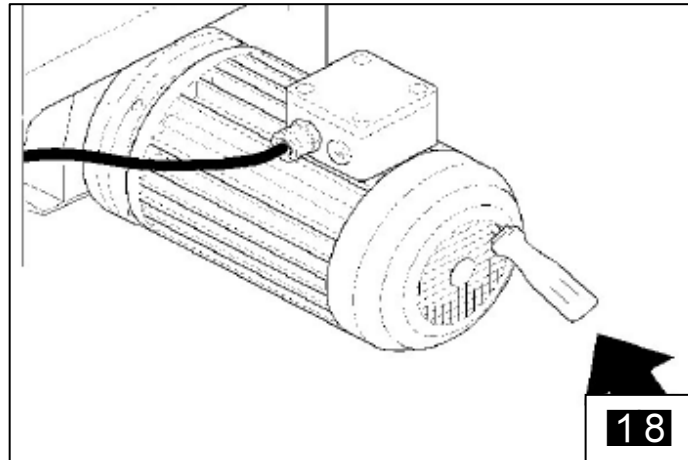
- Turn off the power supply to the machine and remove the guns supporting-arms
- Open the main door via the two draw latches located down near the basement and on top of the column **16** (01)



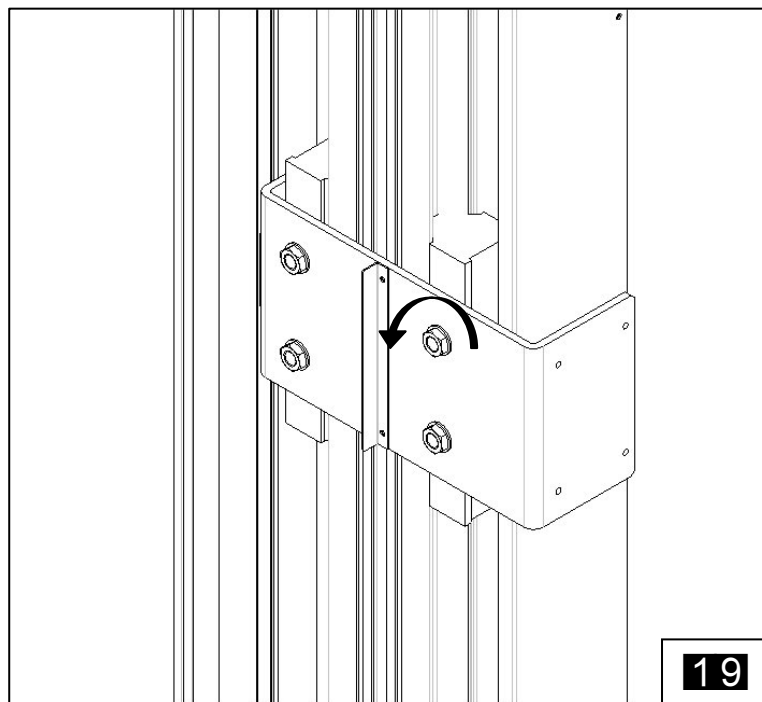
- Balance the machine so that the trolley is in a useful position for the operator **17**
See **Chapter 12.8** to balance the machine.



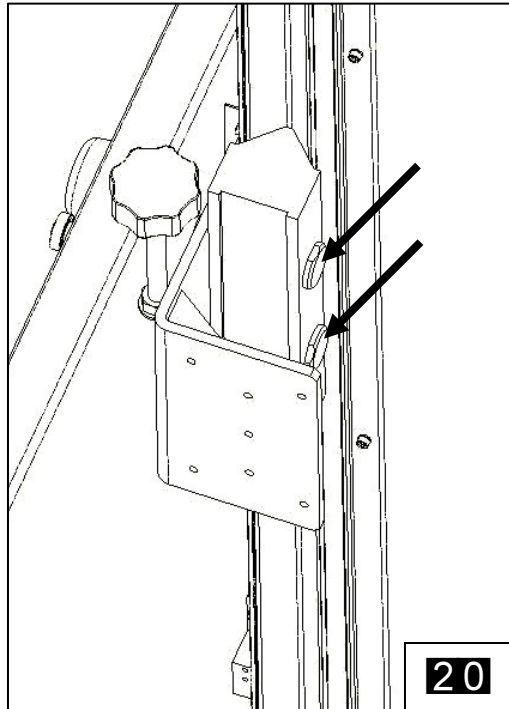
- Block the electric motor by inserting a screwdriver into the inner cooling fan. **18**



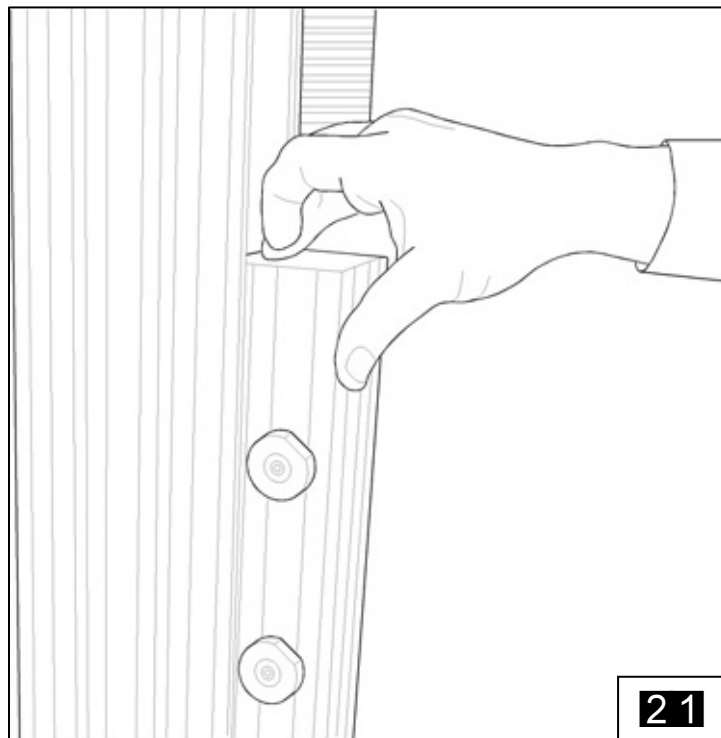
- Loosen the nuts, not completely and leaving a certain pressure on the thread, that block the eccentric hubs of the sliding blocks. **19**



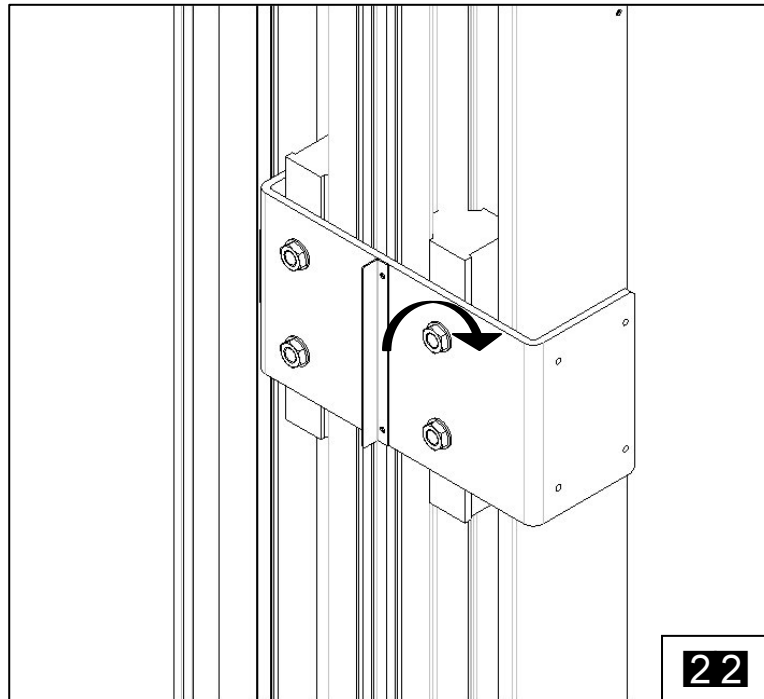
- Adjust, using a suitable wrench, the eccentric hub, shown in the picture, till the sliding block and the guide are in contact. Adjust, in the same way, the second hub. **20**



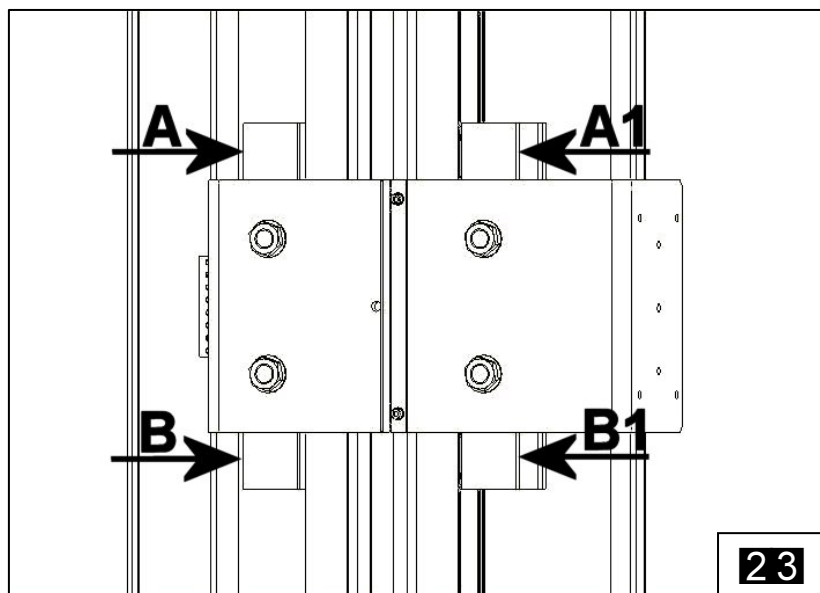
- Repeat the two aforesaid operations in order to have a better adjustment. In a correct condition, the sliding blocks should easily slide on the guide by hand. **21**



- When finished, block the eccentric nuts. **22**



- Check, using a sliding gauge, the parallelism between the sliding blocks. The distance between **A** and **A1** must be the same as the distance between **B** and **B1** **23**



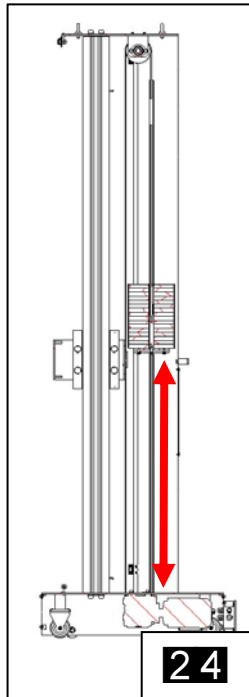
ATTENTION: Avoid excessive loads on the wheels so as to damage the surface.

- Close the main door and remove the screwdriver from the fan of the gearmotor.

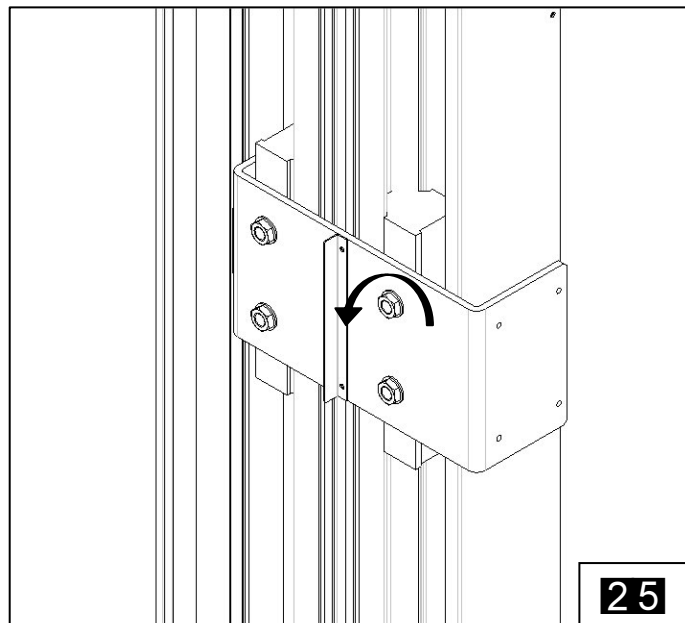
12.7 Replacement of the trolley sliding blocks



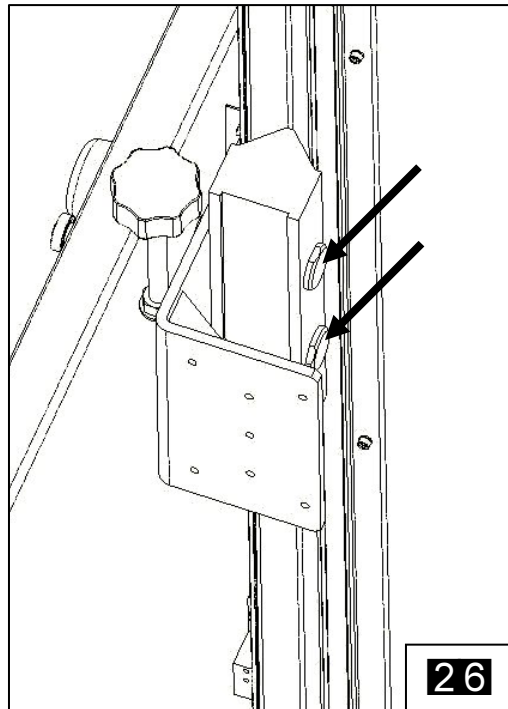
- To replace the sliding blocks of the trolley, follow the operations described in the previous paragraph up to place the trolley to a useful position to operate.
- Block the counterweight stroke with a staff (or other suitable means) to avoid its fall. **24**



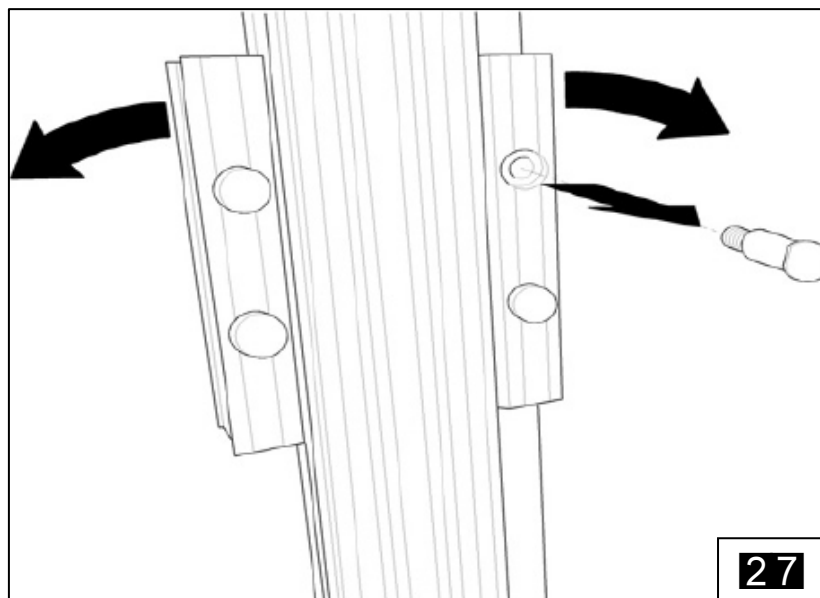
- Rotate the eccentric pivots till the blocks loosen. **25**



- Turn the eccentric hub with a suitable wrench, so as to increase the play between the rollers and the guide. **26**

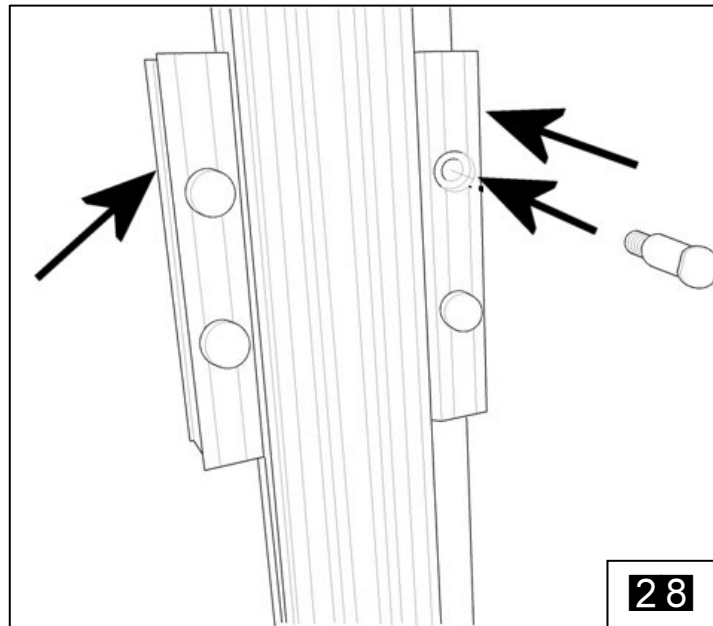


- Remove the hubs from the trolley, removing one sliding block at a time **27**



ATTENTION: If the counterweight is not blocked by an iron staff, it will slide up to the lower end of stroke and consequently the trolley will be lift up to the upper limit switch.

- Assemble the new sliding block with hub, screwing it to the rear plate. **28**



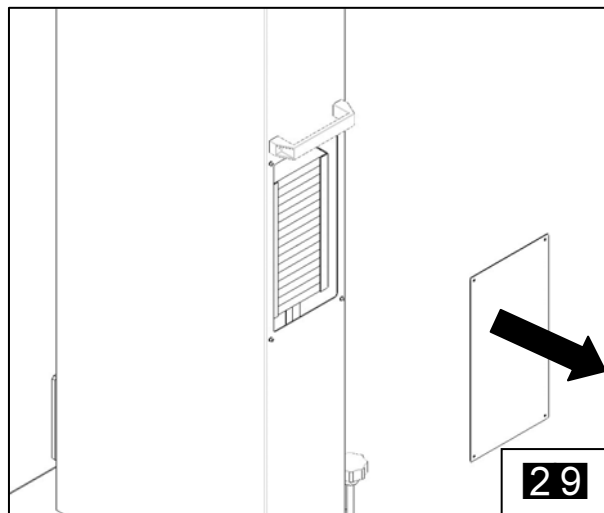
- Do the reverse operations for the reassembling.
- See **Chapter 12.6** to adjust the sliding blocks.

12.8 Adjustment of the counterweight



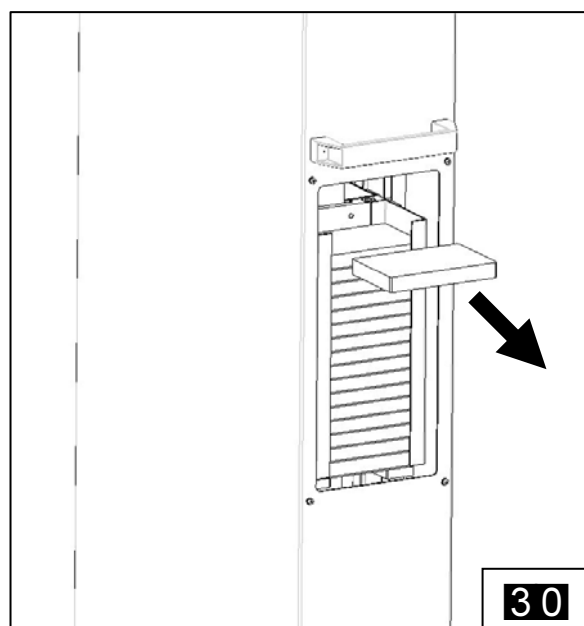
To adjust the counterweight, do as follows:

- Turn off the power supply to the machine.
- Remove the rear door and move the trolley so that the counterweight slides up/down up to reach the opening. **29**



ATTENTION: to make the work easier and for safety reasons, it is better that the following operations are carried out by two operators.

- Add or remove the plates of the counterweight, as indicated in the picture **30**, to balance the machine.



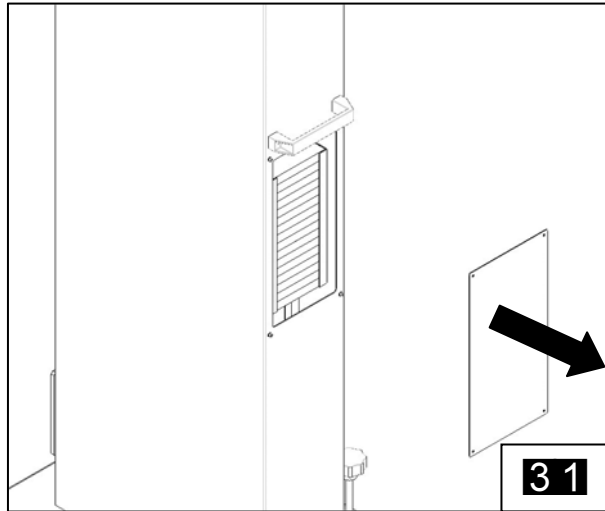
- Assemble the rear door.

12.9 Replacement of the counterweight sliding guides

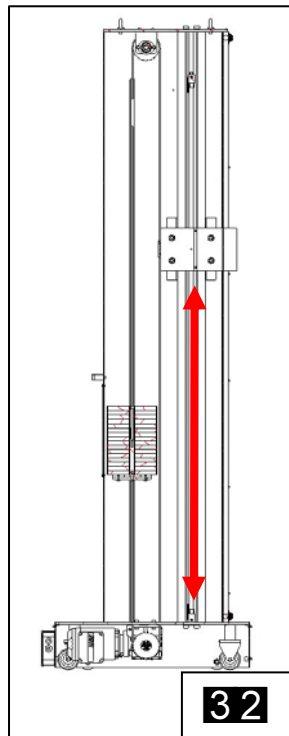


To replace the counterweights sliding guides do as follows:

- Turn off the power supply to the machine.
- Remove the rear door **31**,

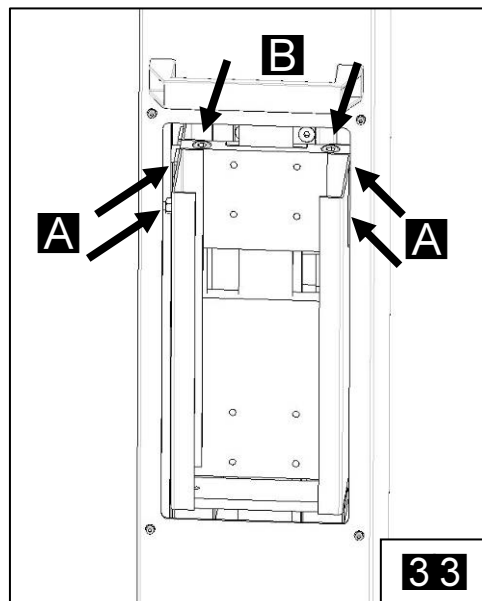


- Position and block the gun supporting-arm so as the counterweight is in line with the opening. **32**,



- Refer to **Chapter 12.8** to remove all the counterweight plates.

- Unscrew the two+two nuts **A** of the rod and the two upper screws **B**, with a suitable wrench, so as to slacken the belt and remove it from the pulley. **33**

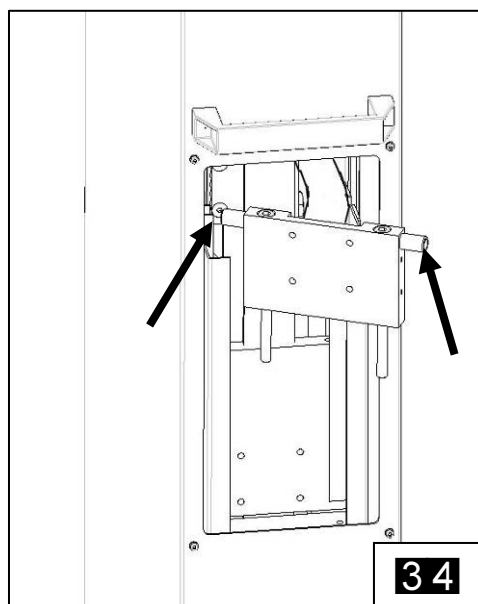


ATTENTION: do not remove the screws completely so as to avoid that the counterweight and the trolley fall.

- Tilt sideways the counterweight plate, shown in the figure, so as to remove the sliding guides from its seats with a suitable wrench. **34**



ATTENTION: it is necessary to hold the counterweight structure so as to avoid that it falls down. Hence a second operator is required for safety reason.



- Replace them with new counterweight guides. **34**

- Adjust the belt tension (see the relative paragraph).
- Close the rear door and remove the backstop to the gun supporting-arm.

12.10 Adjustment of the hardware limit of the stroke

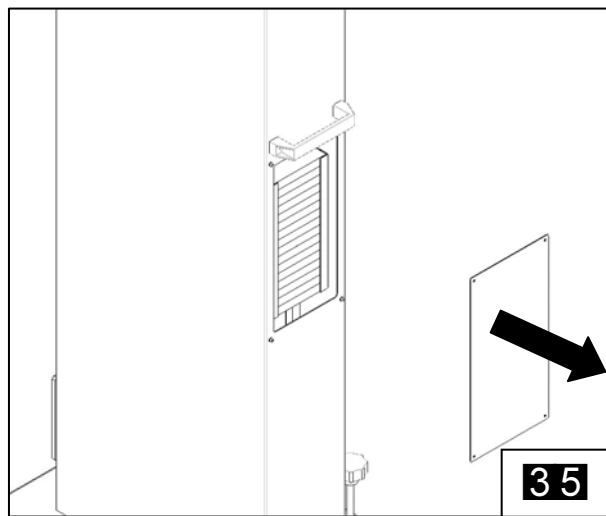
See **Chapter 12.10** of “Maintenance for HF30”

12.11 Replacement of the belt

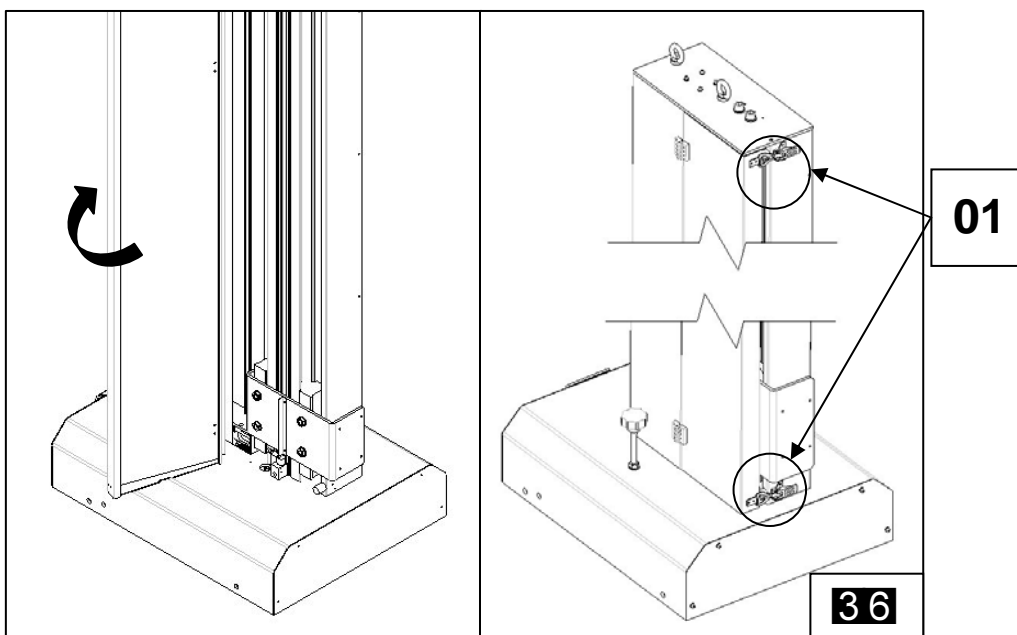


ATTENTION: to perform this maintenance two persons are necessary.

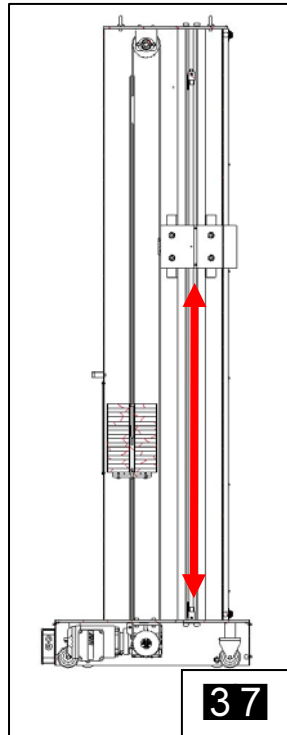
- Turn off the power supply to the machine.
- Remove the gun supporting-arm.
- Remove the rear door. **35**,



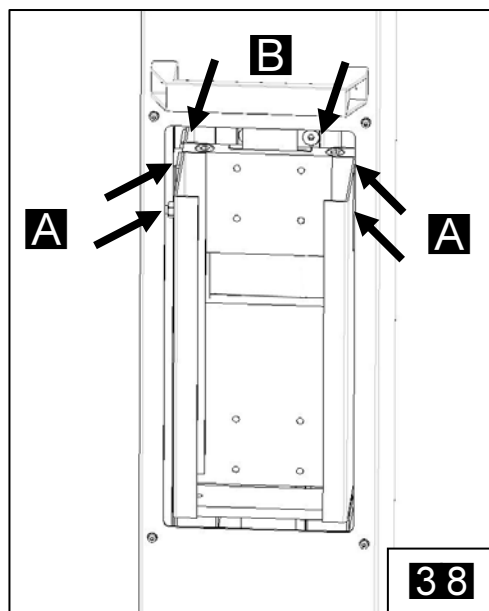
- Open the main door via the two draw latches located down near the basement and on top of the column **36** (**01**)



- Position and block the gun supporting-arm so as the counterweight is in line with the opening. **37**,

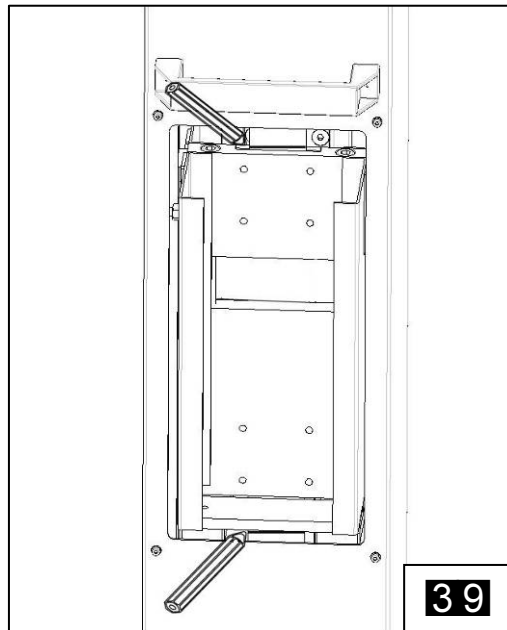


- Unscrew the two+two nuts **A** of the rod and the two upper screws **B**, with a suitable wrench, so as to slacken the belt and remove it from the pulley. **38**

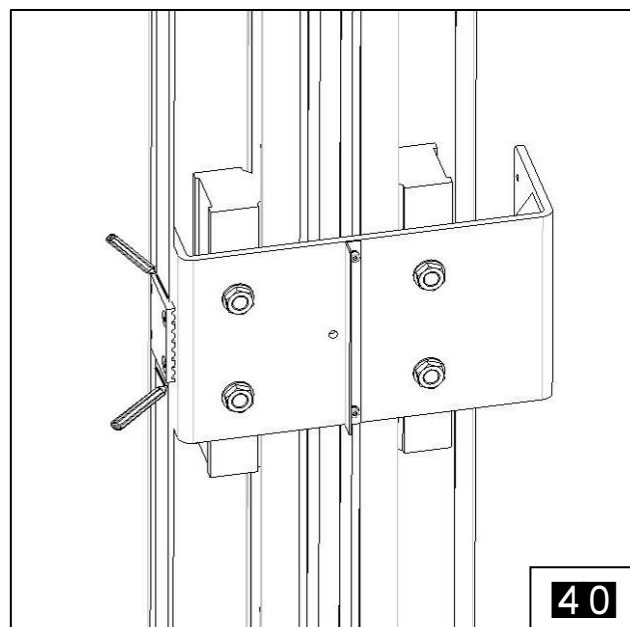


- Refer to **Chapter 12.8** to remove all the counterweight plates.

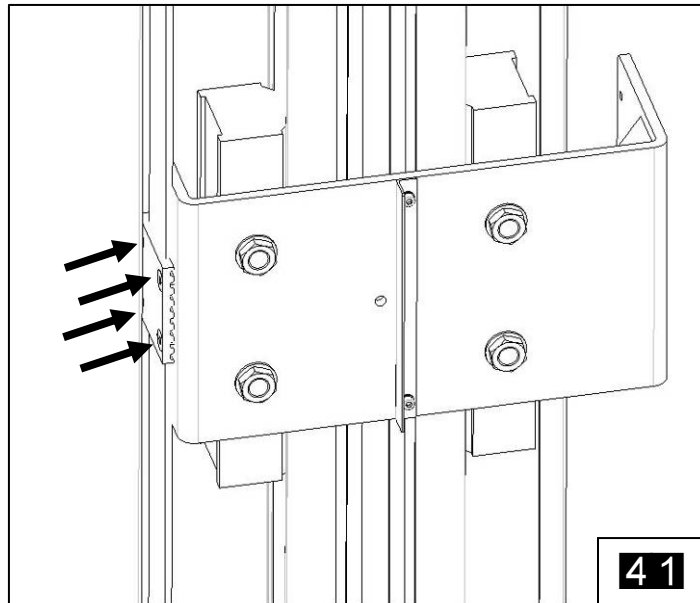
- Mark the belt (up and down) in order to locate the assembly position. **39**



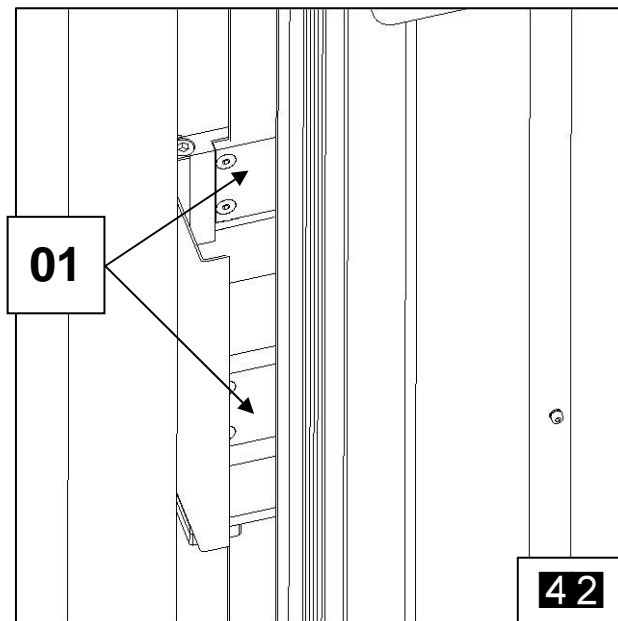
- Mark the belt in correspondence to the toothed plate that fix the belt to the trolley. **40**



- Using a suitable wrench extract the four screws to remove the belt from the trolley, taking care to hold it and put in to the lower limit switch. **41**

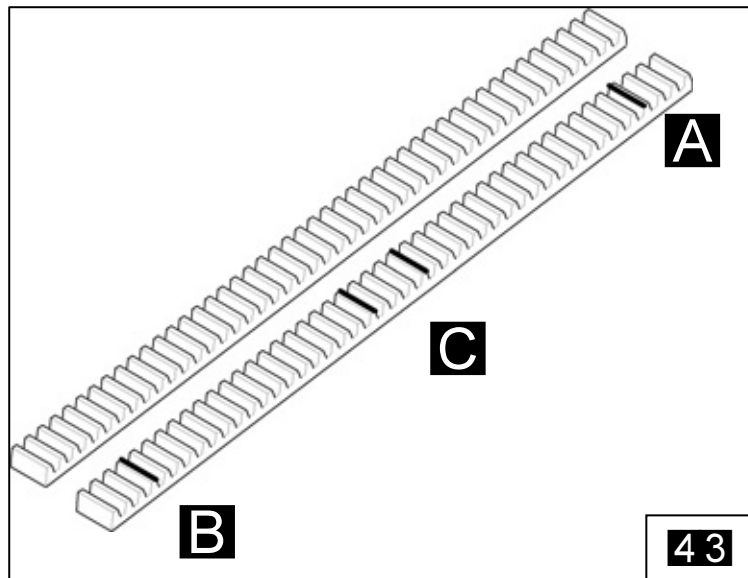


- Remove the toothed belt from the counterweight group unscrewing the four screws that fix it to them through the toothed plates **(01)**. **42**



- The belt is now free to be removed completely from the reciprocator.

- Lay down the toothed belt to replace on the ground near the old one, then report the marks from the old belt to the new one.



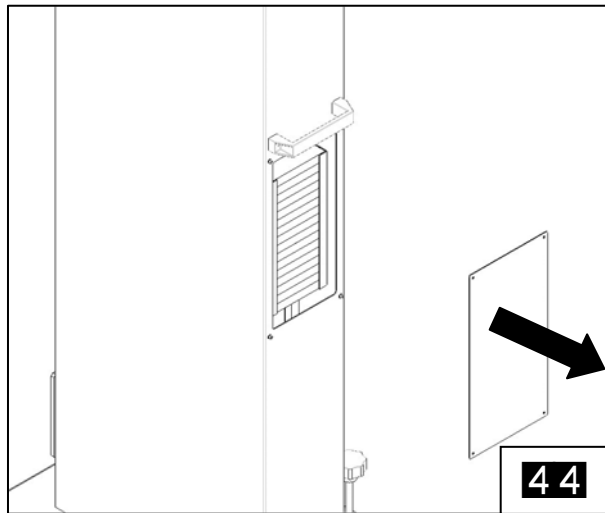
- Pos. **43**(A) - Assembly position of upper counterweight
- Pos. **43**(B) - Assembly position of lower counterweight
- Pos. **43**(C) - Fixing position of the trolley
- Replace the belt by carrying out the reverse procedure.
- Tension correctly the belt following the instructions described in **Chapter 12.12**.
- Close the rear door and remove the backstop and reassemble the gun supporting-arm.

12.12 Adjustment of the belt tension

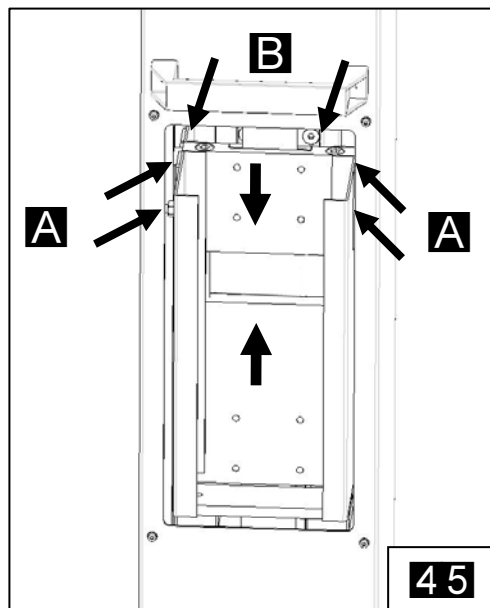


To adjust the tension of the belt, do as follows:

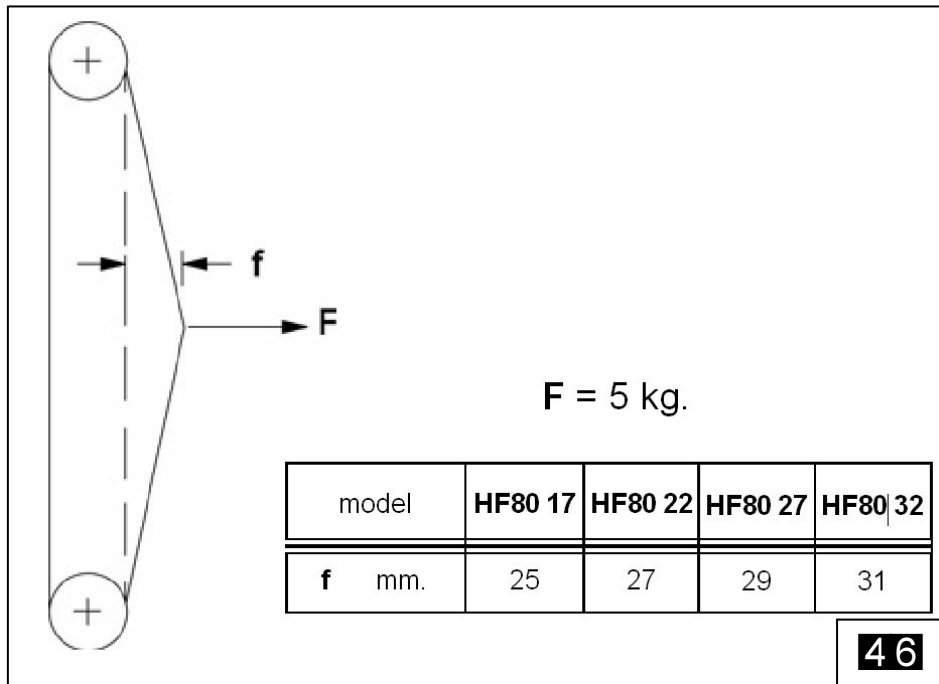
- Turn off the power supply to the machine.
- Remove the rear door and move the trolley so that the counterweight slides up/down up the reach the opening. **44**



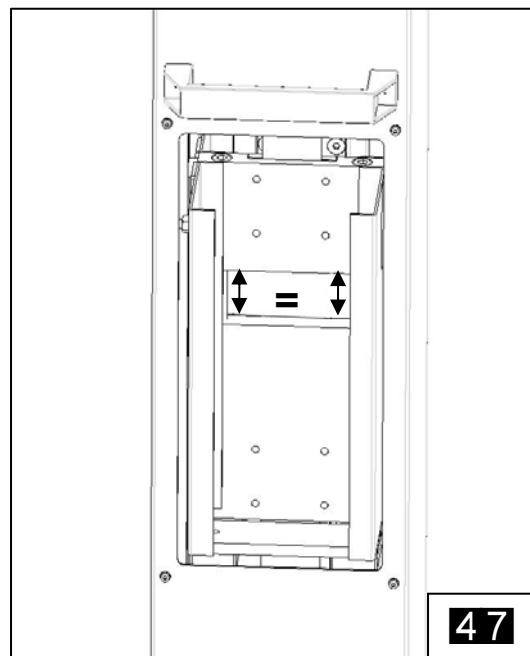
- Unscrew the two+two nuts **A** of the rod and the two upper screws **B**, with a suitable wrench, so as to tension or slacken the belt (see values on table **46**). **45**



For the correct belt tension, see the diagram below. **46**



- Check the parallelism between the upper and the lower counterweight plates. **47**



- Assemble the read door.

12.13 Replacement of the encoder

See **Chapter 12.13** of “Maintenance for HF30

13.0 ALARMS

ANOMALY	CAUSE	REMEDY
NOISE AND VIBRATIONS DURING THE STROKE	<ul style="list-style-type: none"> ■ Wrong adjustment of the trolley ■ Worn out wheels/sliding blocks of the trolley 	<ul style="list-style-type: none"> ■ Adjust the trolley ■ Replace the wheels/sliding blocks
STRONG HITS DURING THE MOVEMENT	<ul style="list-style-type: none"> ■ Belt tension insufficient 	<ul style="list-style-type: none"> ■ Adjust belt tension
NOISE AT THE REVERSAL POINTS	<ul style="list-style-type: none"> ■ Clearance of the gearmotor 	<ul style="list-style-type: none"> ■ Replace the gearmotor
LOSS OF STROKE REFERENCES	<ul style="list-style-type: none"> ■ Breaking of the encoder 	<ul style="list-style-type: none"> ■ Replace the encoder
ELECTRIC ANOMALIES		<ul style="list-style-type: none"> ■ See the wiring diagrams

14.0 SPARE PARTS

14.1 General advice

- In order to optimise and address correctly the demand of spare parts and/or technical assistance, it is necessary to refer to **Nordson**.
- If the customer uses, above all during the period of contractual guarantee of the machine, not original **Nordson**, spare parts, the guarantees about functional performances and above all accident prevention safeties are no more valid. Therefore **Nordson** declines each possible responsibilities direct, indirect or consequential, about accidents occurred to staff, or about possible restrictions of productive performances of the machine.
- The safety and reliability of **Nordson** HF Reciprocator is only guaranteed with the proper use of correct **Nordson** spare parts.
- Before removing any components of the machine and replacing them with spare parts, it is necessary to look it up in the "**OPERATING AND MAINTENANCE MANUAL**" attached. This is necessary to identify all information to adopt to guarantee safety during the interventions (safety and accident prevention measures).

14.2 How to order spare parts

To order spare parts see the data on the CE plate.
The order will have to contain the following elements:

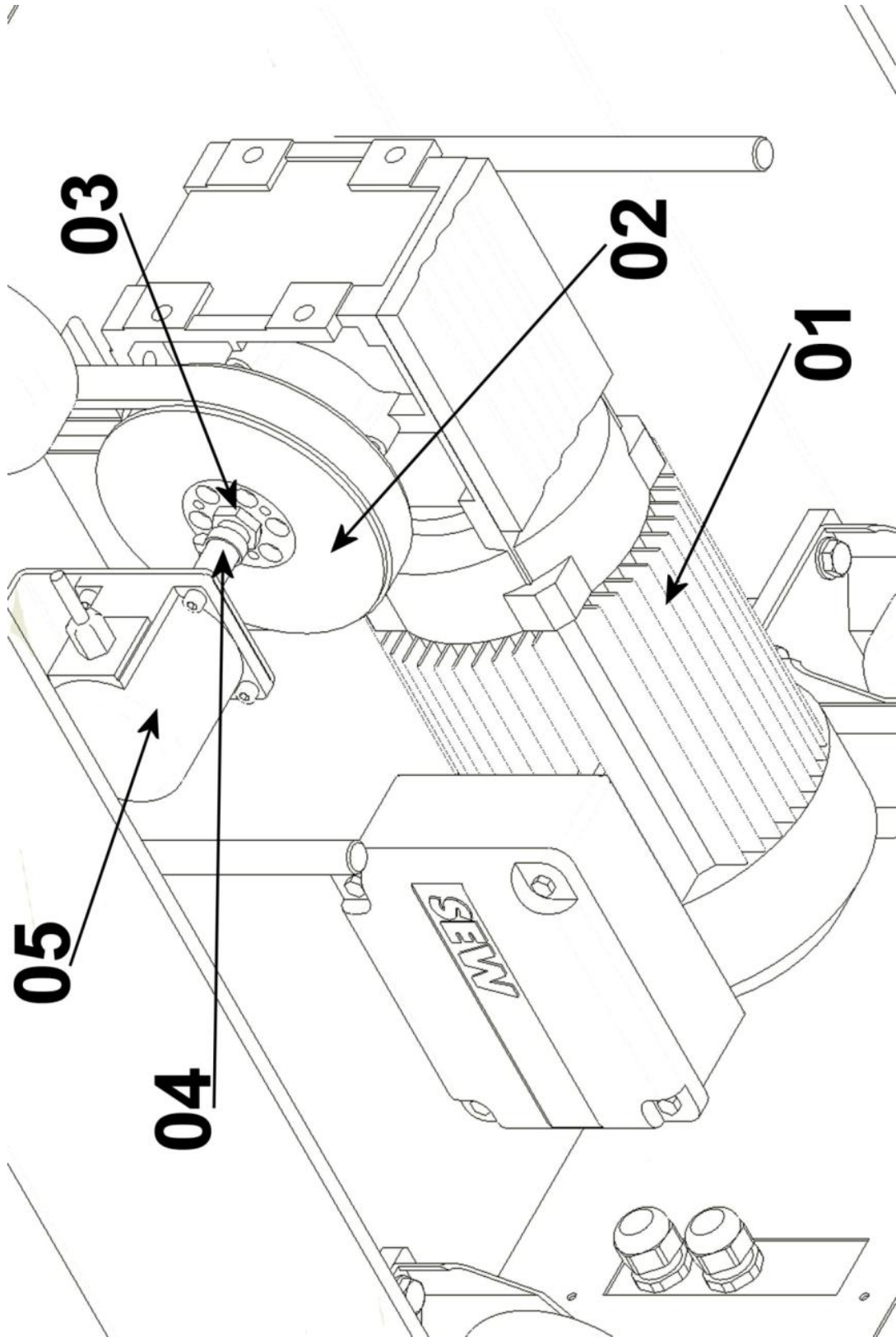
- Model/Type of machine
- Serial No.
- Description of the group
- Position no. of the spare parts
- Description of the spare parts
- Code of the spare part
- Quantity

Example:

- Reciprocator HF30 170
- Serial No. 99999
- Trolley group
- Position 02
- Concentric wheel
- Part Number
- No. 2 Pcs

14.3 List of spare parts for HF30

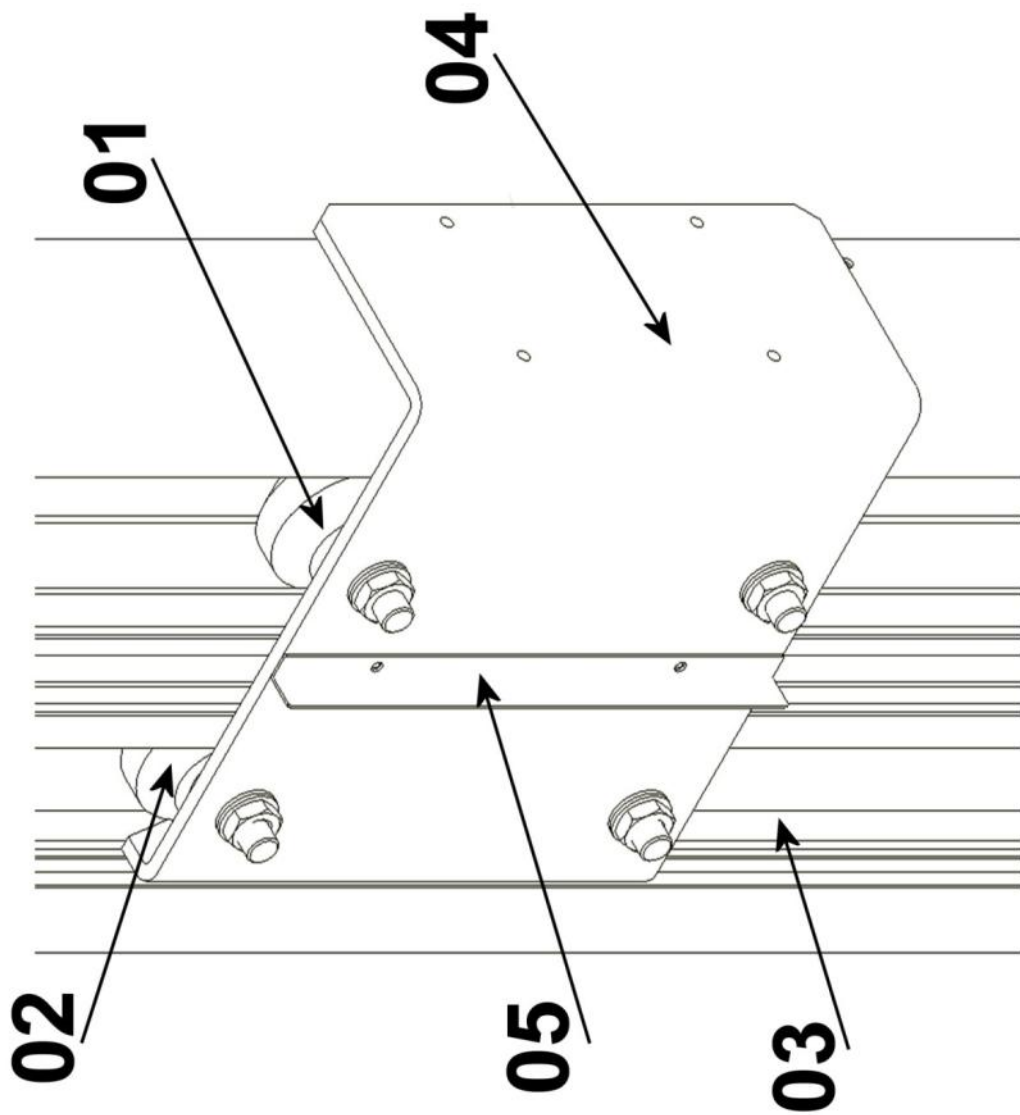
GEARMOTOR GROUP



GEARMOTOR GROUP

Pos.	Part Number	Description	Qty
1	7034320	Gearmotor assy,HF30 (400.0102.01)	1
2	7034321	Pulley,drive,HF30 (220.1138)	1
3	7034322	Bush,taperlock,HF30 (330.0503)	1
4	736358	Coupling, sensor encoder, recip (120.0002)	1
5	7034353	Encoder, HF series (if present) (310.8073)	1

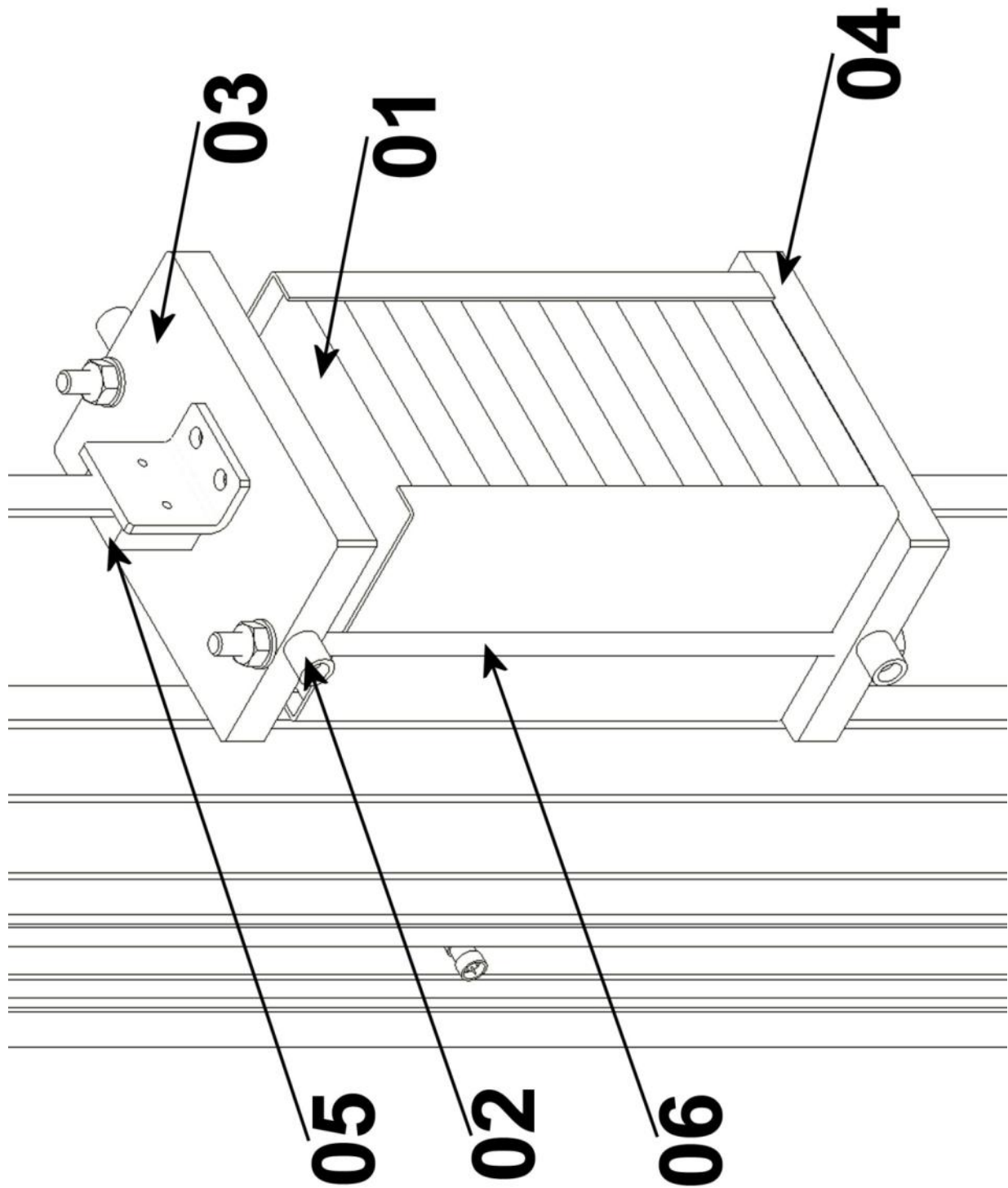
TROLLEY GROUP



TROLLEY GROUP

Pos.	Part Number	Description	Qty
1	736411	Eccentric wheel (335.0016)	2
2	736410	Concentric wheel (335.0015)	2
3	70343xx	Toothed belt, HF30* (120.1902.xx)	1
4	7034324	Carriage plate, HF30 (250.1403)	1
5	-	Cam sensor reader (250.1404)	1
		*see page 41 to order the correct length	

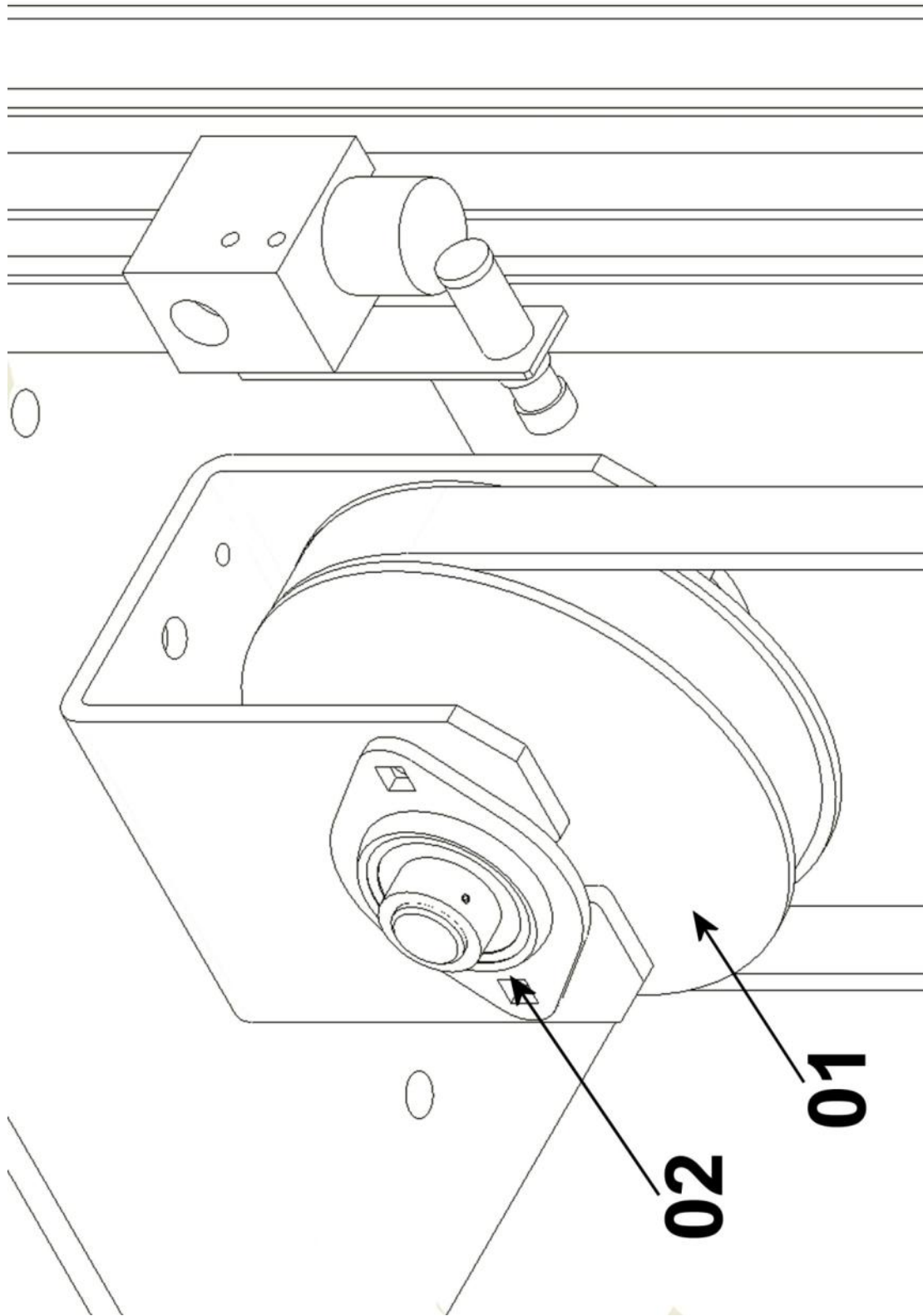
COUNTERWEIGHT GROUP



COUNTERWEIGHT GROUP

Pos.	Part Number	Description	Qty
1	7034338	Kit,counterweight,HF30 (2 pcs) (500.3000)	12
2	7034326	Kit,2*counterweight guide,HF30 (500.3002)	2
3	7034327	Upper counterweight plate (220.6002)	1
4	7034328	Lower counterweight plate (220.6003)	1
5	7034329	Fixing plate,toothed belt,HF30 (220.1141)	1
6	7034330	Counterweight stay bolt (250.1416)	1

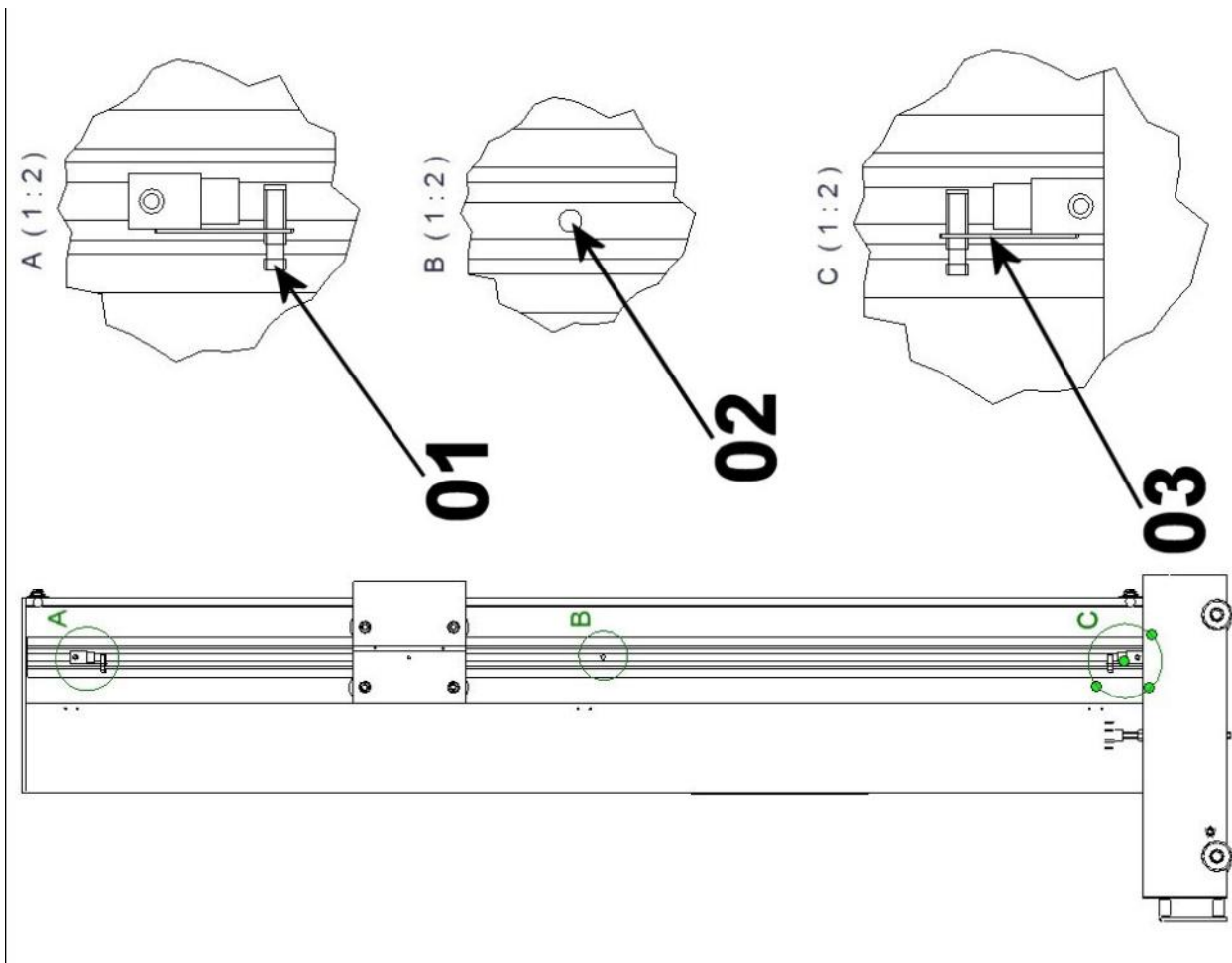
DRIVEN GROUP



DRIVEN GROUP

Pos.	Part Number	Description	Qty
1	7034331	Pulley.top,HF30 (220.6000)	1
2	7034332	Kit,2 * bearing, top pulley (500.3004)	2

LIMIT SWITCH GROUP

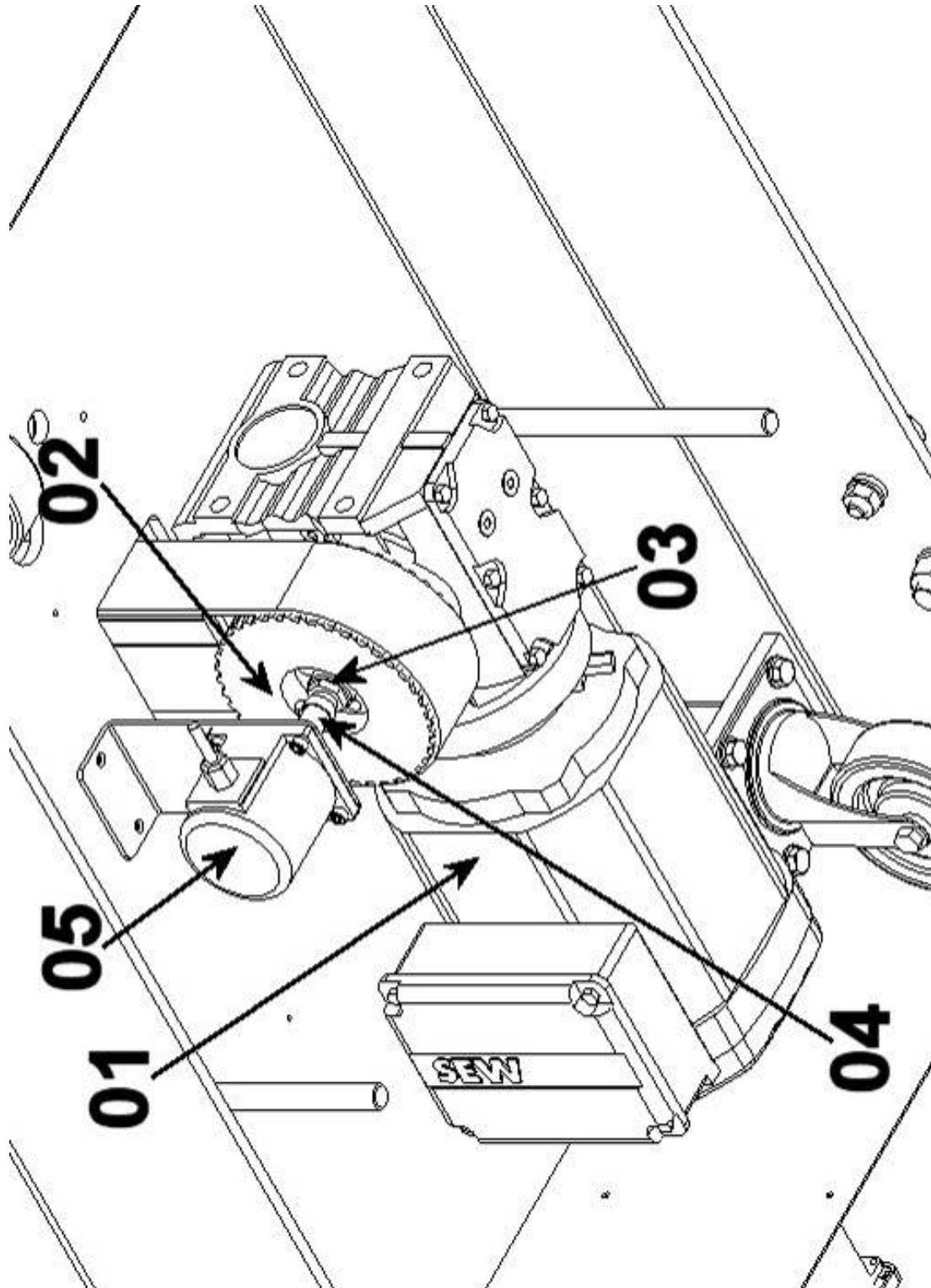


LIMIT SWITCH GROUP

Pos.	Part Number	Description	Qty
1	736339	Sensor,inductive,PNP,NC 12mm (310.8207)	2
2	736828	Sensor,inductive,PNP,NO 12mm (if present) (310.8208)	1
3	7034333	Bracket,top&bottom sensor (250.1405)	2

14.4 List of spare parts for HF80

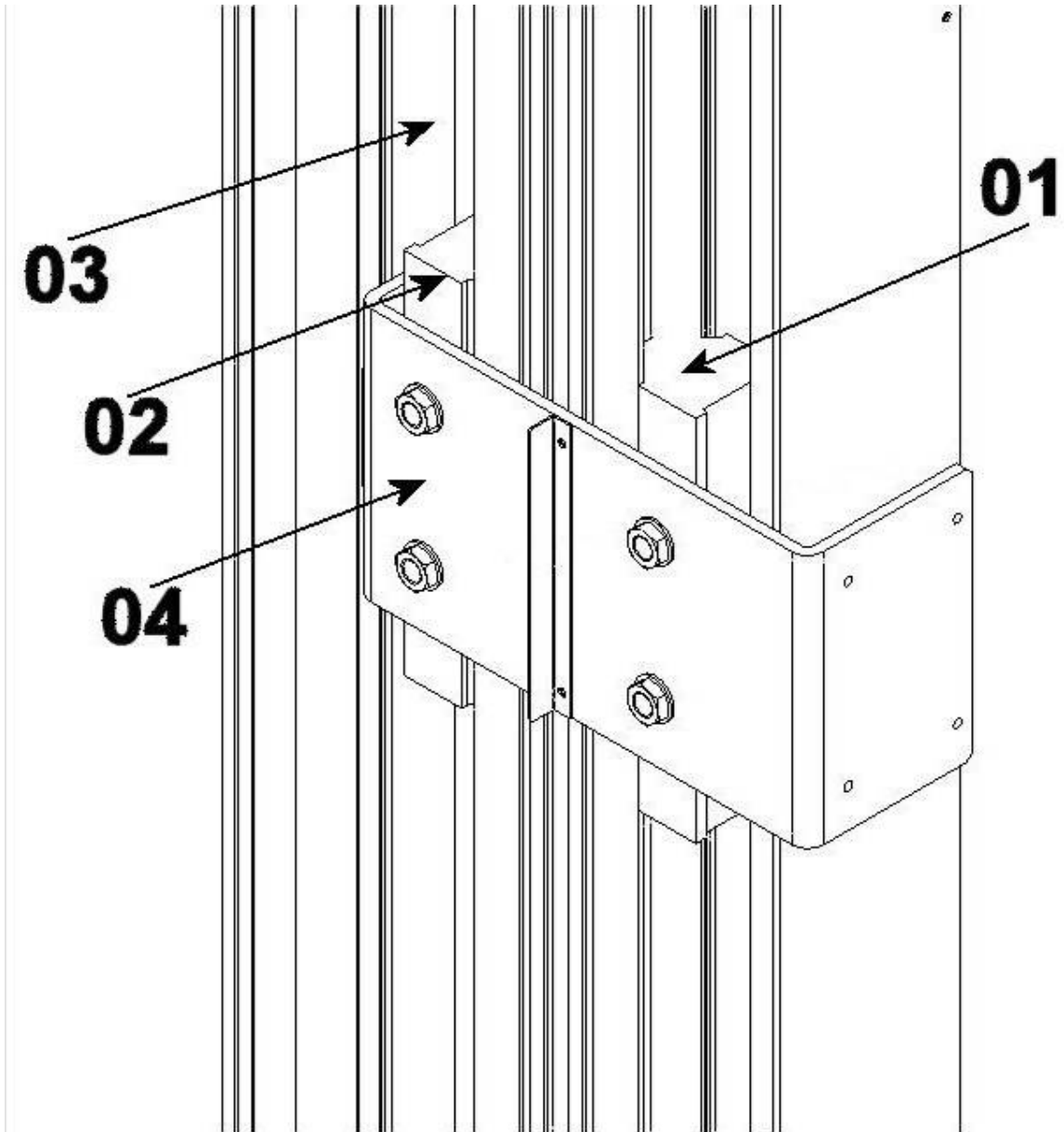
GEARMOTOR GROUP



GEARMOTOR GROUP

Pos.	Part Number	Description	Qty
1	7034339	Gearmotor assy,HF80 (400.0108)	1
2	7034340	Pulley,drive,HF80 (220.1060)	1
3	7034341	Bush,taperlock,HF80 (330.0500.01)	1
4	736358	Coupling, sensor encoder, recip (120.0002)	1
5	7034353	Encoder, HF series (310.8073)	1

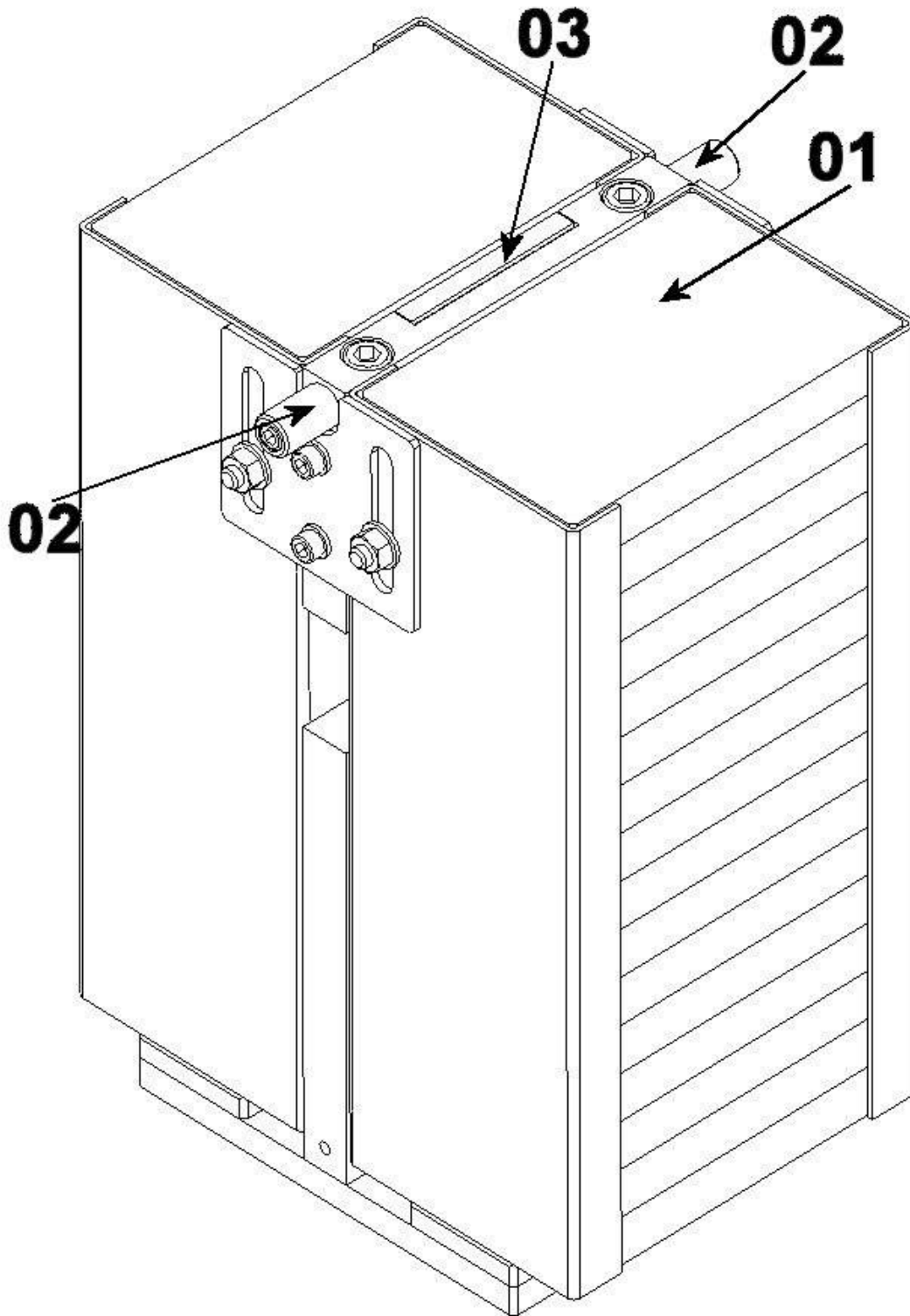
TROLLEY GROUP



TROLLEY GROUP

Pos.	Part Number	Description	Qty
1	7034343	Eccentric sliding block (335.0009)	1
2	7034342	Concentric sliding block (335.0008)	1
3	70343xx	Toothed belt, HF80* (120.1904.xx)	1
4	7034344	Carriage plate, HF80 (250.1412)	1
		*see page 69 to order the correct length	

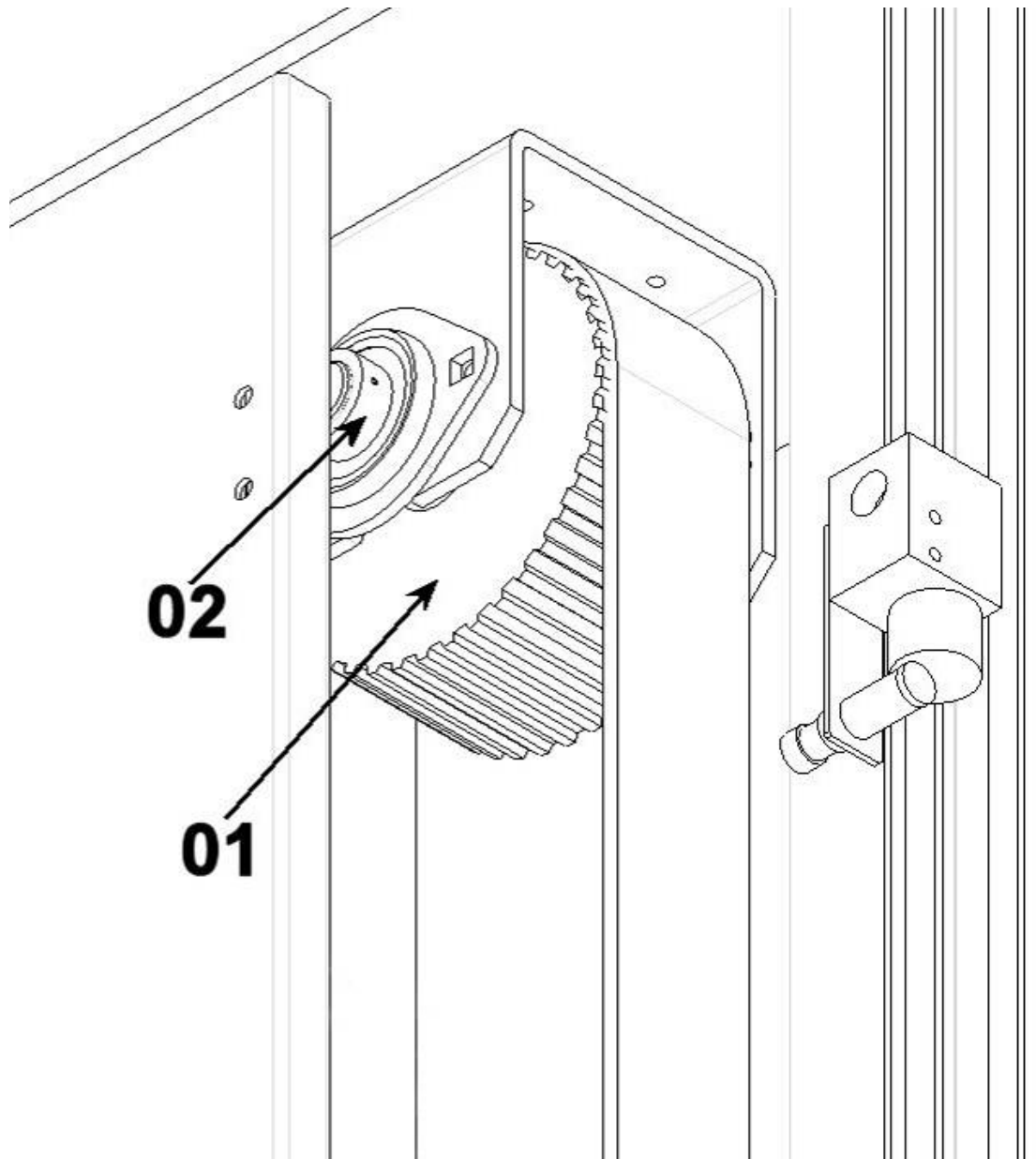
COUNTERWEIGHT GROUP



COUNTERWEIGHT GROUP

Pos.	Part Number	Description	Qty
1	7034352	Kit,counterweight plate,HF80 (2 pcs) (500.3001)	30
2	7034350	Kit,2*counterweight guide,HF80 (500.3003)	2
3	7034351	Fixing plate, toothed belt, HF80 (220.1016)	2

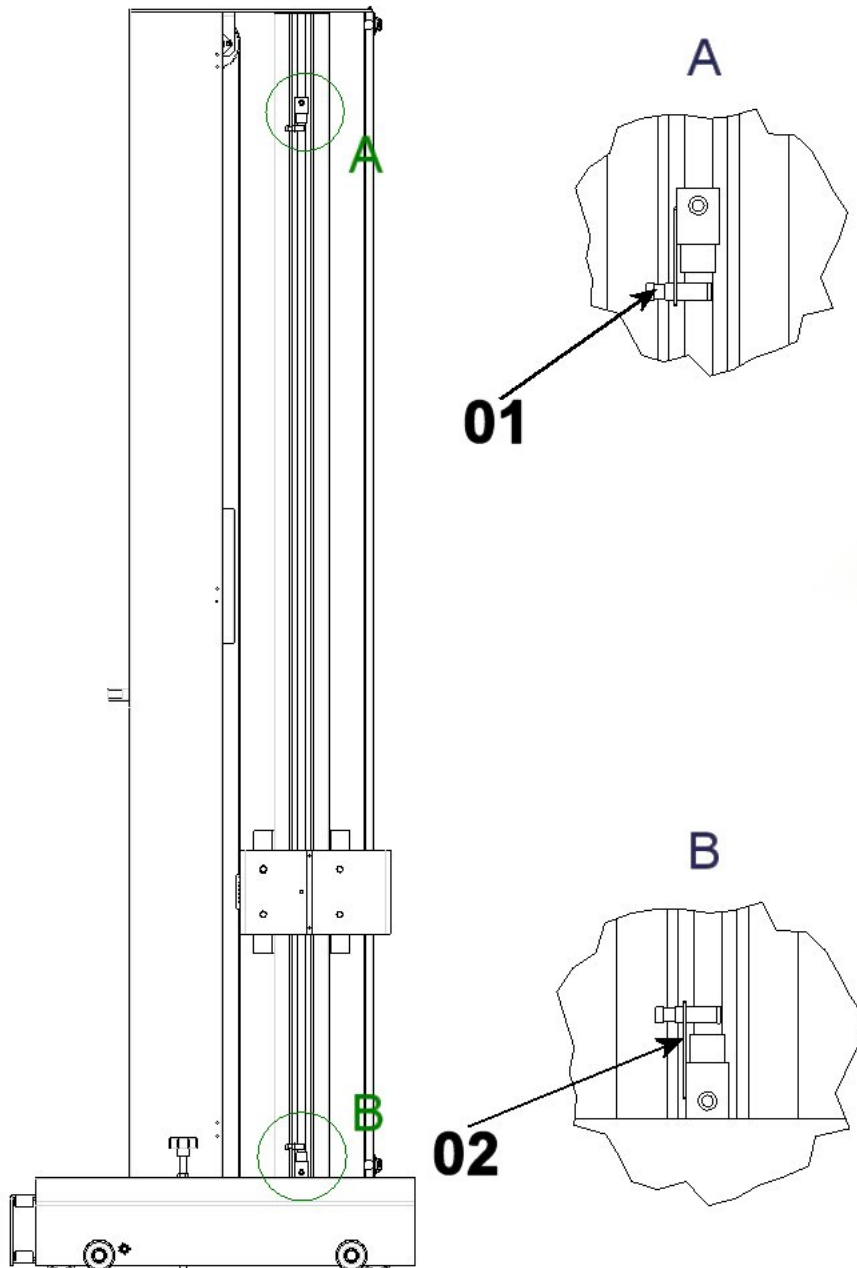
DRIVEN GROUP



DRIVEN GROUP

Pos.	Part Number	Description	Qty
1	7034354	Pulley.top, HF80 (220.6010)	1
2	7034355	Kit, 2 * bearing, top pulley, HF80 (500.3005)	2

LIMIT SWITCH GROUP



LIMIT SWITCH GROUP

Pos.	Part Number	Description	Qty
1	736339	Sensor,inductive,PNP,NC 12mm (310.8207)	2
2	7034333	Bracket,top&bottom sensor (250.1405)	2

15.0 DRAINING OF HARMFUL SUBSTANCES AND DISMANTLING OF THE MACHINE

The user must remember that the harmful substances used, see lubricating oil, grease etc., must be drained in accordance with the local laws in force.

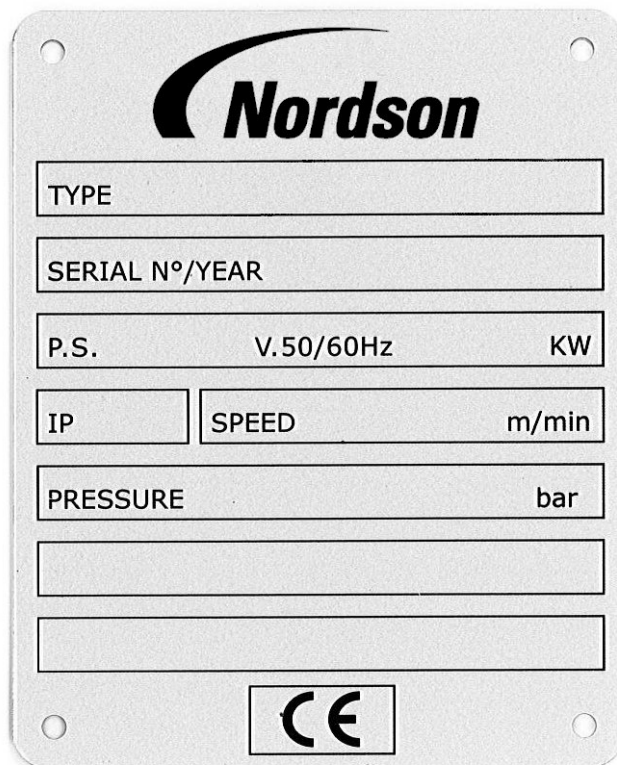
The dismantling of the machine and the removal of its components must be carried out according with the local laws or directives.

The machine is prevalently composed by:


- ferrous materials (structure and mechanical parts)
- materials derived from copper (electric wires and electric motor winding)
- Aluminium materials (mechanical parts)

16.0 ATTACHMENTS

CE PLATE



Nordson

TYPE		
SERIAL N°/YEAR		
P.S.	V.50/60Hz	KW
IP	SPEED	m/min
PRESSURE		bar
		

CE DECLARATION



CE DECLARATION OF CONFORMITY

(According to 2006/42/CE Machinery Directive)

The Manufacturer: HUBO Automation s.r.l.
Via dell'Industrie, 1 - 23862 Civate (LC)

Declares that: Reciprocator mod. HF

Is in conformity with: -Machinery Directive 2006/42/CE
-Electromagnetic Compatibility Directive 2004/108/CE

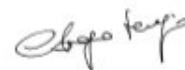
and following modifications and national dispositions.

Also, they furthermore represent and warrant that the products that are subject of the present Declaration are manufactured in the respect of the following main harmonized provisions:

UNI EN ISO 12100-1 :2003/A1 :2009
UNI EN ISO 12100-2 :2003/A1 :2009

The person authorized to compile the Technical File is Mr. Sergio Castagna at Hubo Automation s.r.l.

HUBO Automation s.r.l.
Sergio Castagna

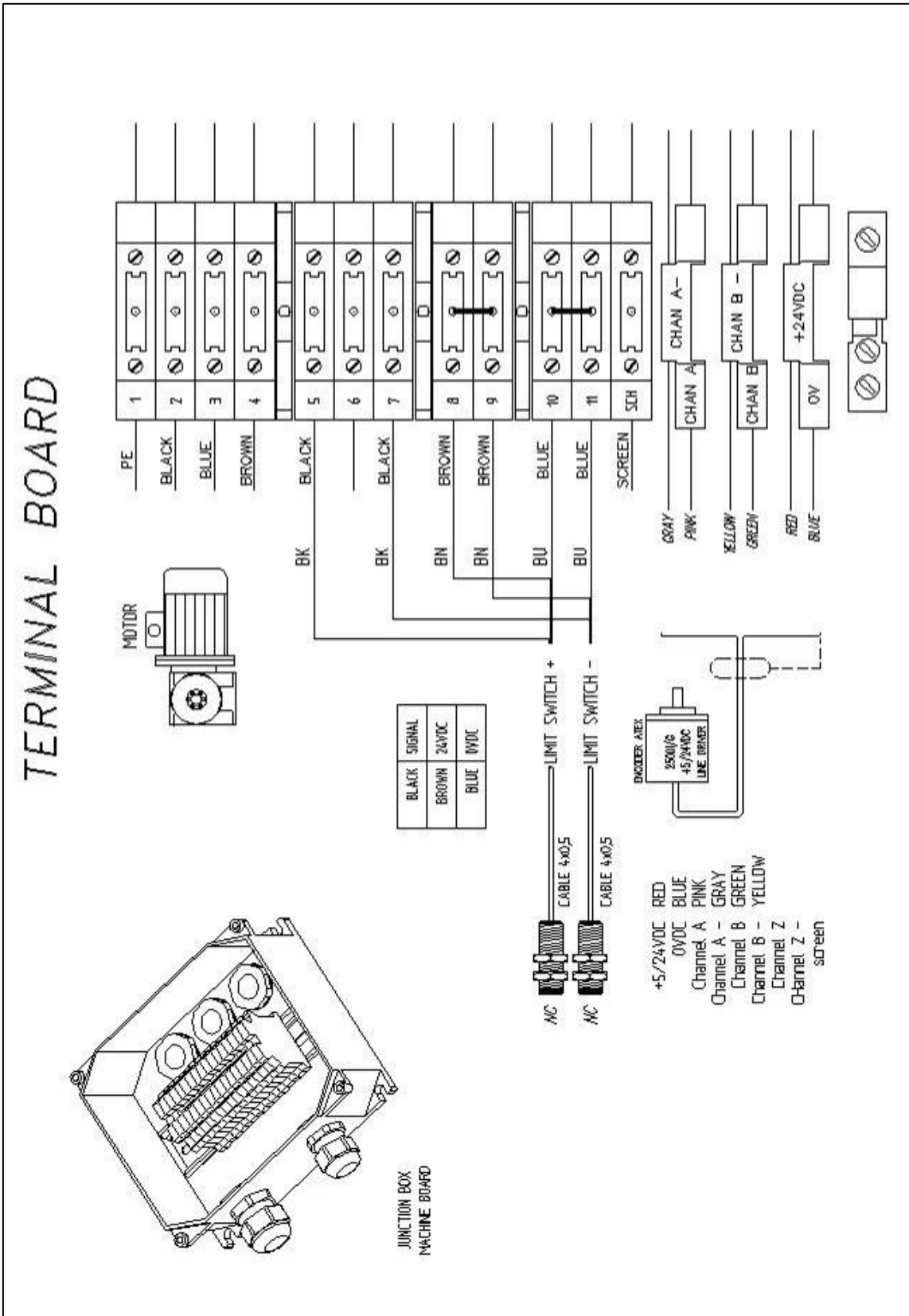


HUBO Automation s.r.l.

Sede operativa: Via dell'Industrie 1 - 23862 CIVATE (LC) - ITALY
Sede legale: Via Basellone 11 - 23862 CIVATE (LC) - ITALY
Tel. 0341 55.05.93 - Fax 0341 21.10.99 - Internet: www.hubo.it - e-mail: info@hubo.it



WIRING DIAGRAMS

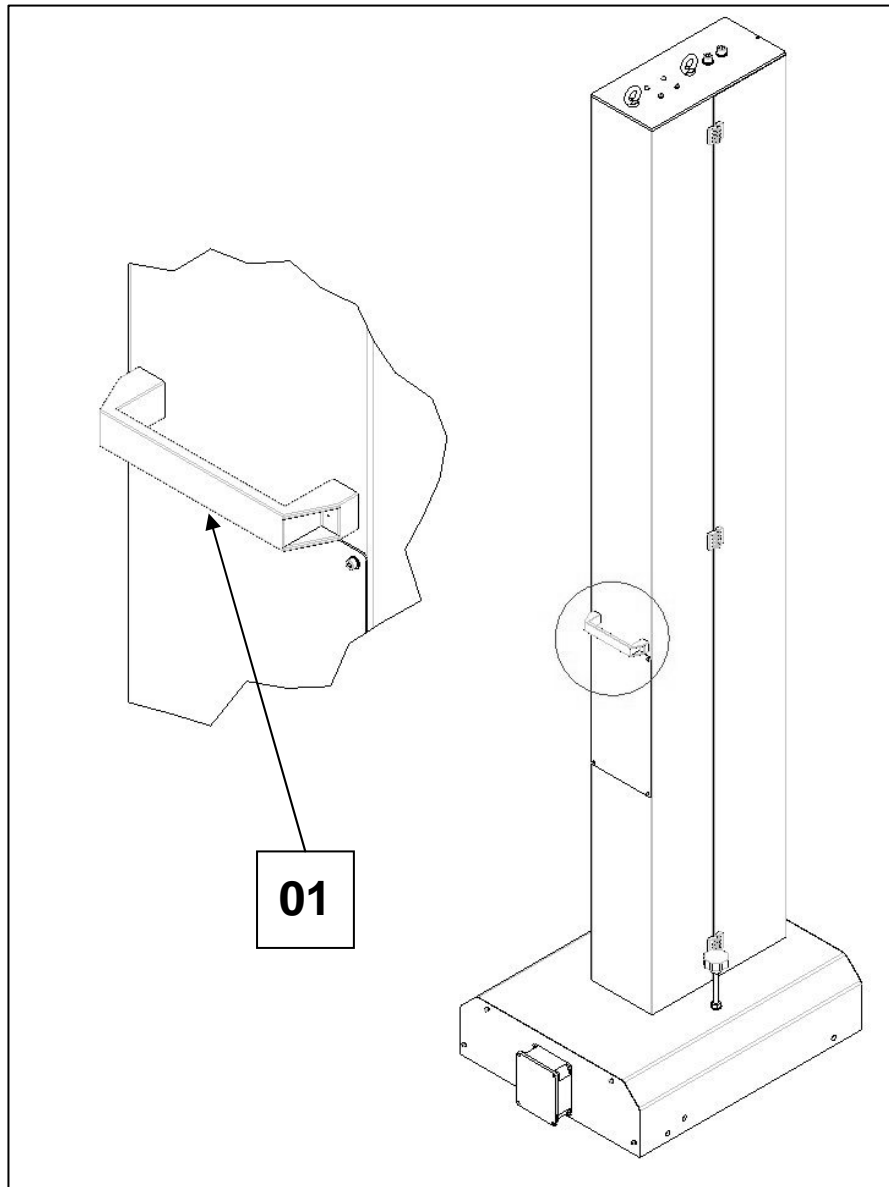


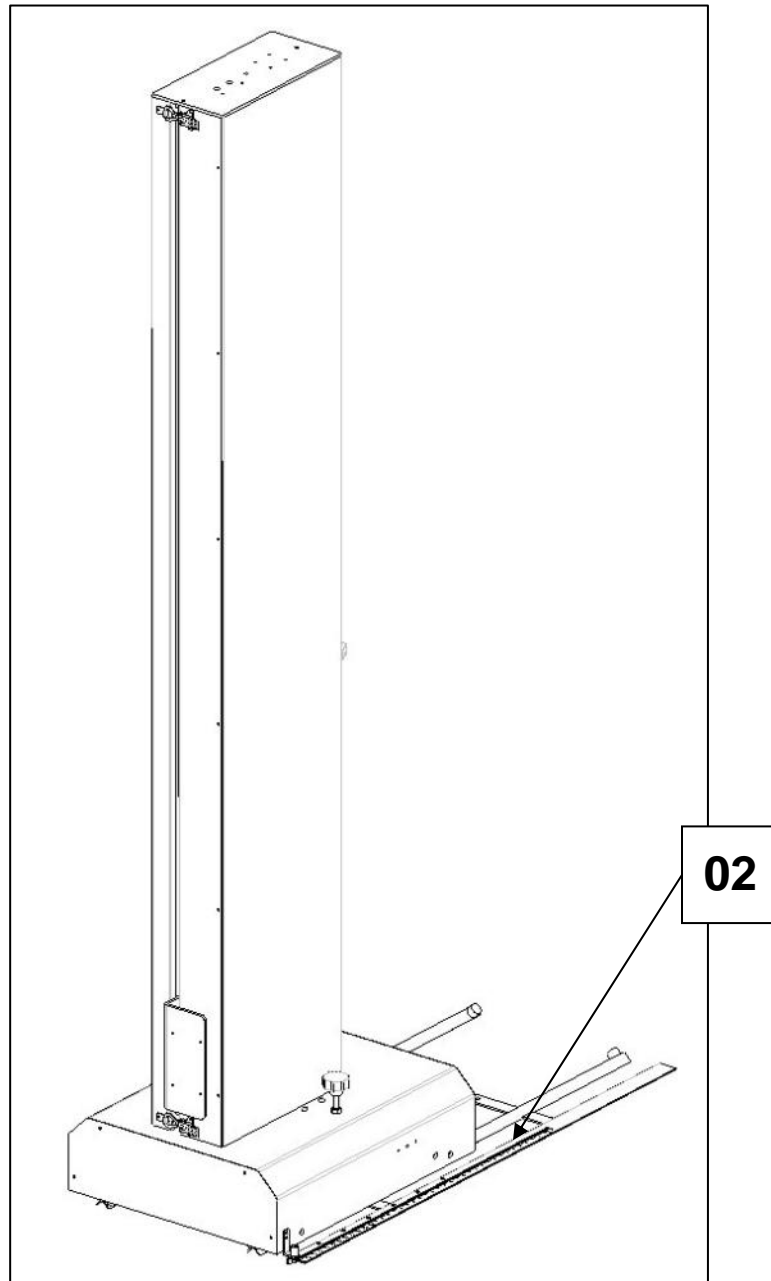
RECOMMENDED OILS

			ISO, NLGI	Mobil®	Shell	KLÜBER LUBRICATION	TEXACO	Castrol	FUCHS	TOTAL
R... K... F... 	Standard	CLP HC	VG 220	Mobil SHC 630	Shell Omala S4 GX 220	Klüber-synth GEM 4-220 N	Pinnacle EP 220	Tribol	Renolin Unisyn CLP 220	
	4) -40	CLP HC	VG 150	Mobil SHC 629	Shell Omala S4 GX 150	Klüber-synth GEM 4-150 N	Pinnacle EP 150		Renolin Unisyn CLP 150	Carter SH 150
	4) -40	CLP HC	VG 68	Mobil SHC 626	Shell Omala S4 GX 68				Renolin Unisyn CLP 68	
	4) -40	CLP HC	VG 32	Mobil SHC 624		Klüber-Summit HySyn FG-32	Cetus PAO 46		Renolin Unisyn OL 32	Dacnis SH 32
S...(HS...) 	Standard	CLP HC	VG 460	Mobil SHC 634	Shell Omala S4 GX 460	Klüber-synth GEM 4-460 N	Pinnacle EP 460		Renolin Unisyn CLP 460	
	4) -40	CLP HC	VG 150	Mobil SHC 629	Shell Omala S4 GX 150	Klüber-synth GEM 4-150 N	Pinnacle EP 150		Renolin Unisyn CLP 150	Carter SH 150
	4) -40	CLP HC	VG 68	Mobil SHC 626	Shell Omala S4 GX 68				Renolin Unisyn CLP 68	
	4) -40	CLP HC	VG 32	Mobil SHC 624		Klüber-Summit HySyn FG-32	Cetus PAO 46		Renolin Unisyn OL 32	Dacnis SH 32
R...K...(HK...), F...S...(HS...)	Standard	CLP HC NSF H1	VG 460			Klüberoil 4UH1-460 N			Cassida Fluid GL 460	
	4) -20	CLP HC NSF H1	VG 220			Klüberoil 4UH1-220 N			Cassida Fluid GL 220	
	4) -40	CLP HC NSF H1	VG 68			Klüberoil 4UH1-68 N			Cassida Fluid HF 68	
	4) -20	SEW PG	VG 460 ¹⁾		Shell Naturelle Gear Fluid EP 460	Klüberbio CAZ-460			Plantogear 460S	
W...(HW...) 	Standard	API GL5	SAE 75W90 (-VG 100)	Mobil Synth Gear Oil 75 W90						
	4) -20	CLP PG NSF H1	VG 460 ²⁾			Klüber SEW HT-460-5				
	4) -20	CLP PG NSF H1	VG 220			Klüber-synth UH1 6-460				
	4) -20	CLP PG NSF H1	VG 460 ²⁾ VG 460 ³⁾			Klüber-synth GH-6-220				
PS.F.. 	Standard	CLP HC	VG 32	Mobil SHC 624						
	4) -40	CLP HC	VG 32	Mobil SHC 624						
BS.F.. 	Standard	CLP PG	VG 220							
	4) -20	CLP PG NSF H1	VG 460 ²⁾ VG 460 ³⁾							
	Standard	CLP PG NSF H1	VG 460 ²⁾ VG 460 ³⁾							
	4) -20	CLP PG NSF H1	VG 460 ²⁾ VG 460 ³⁾							

17.0 PERSONALISATION/SPECIAL EXECUTIONS

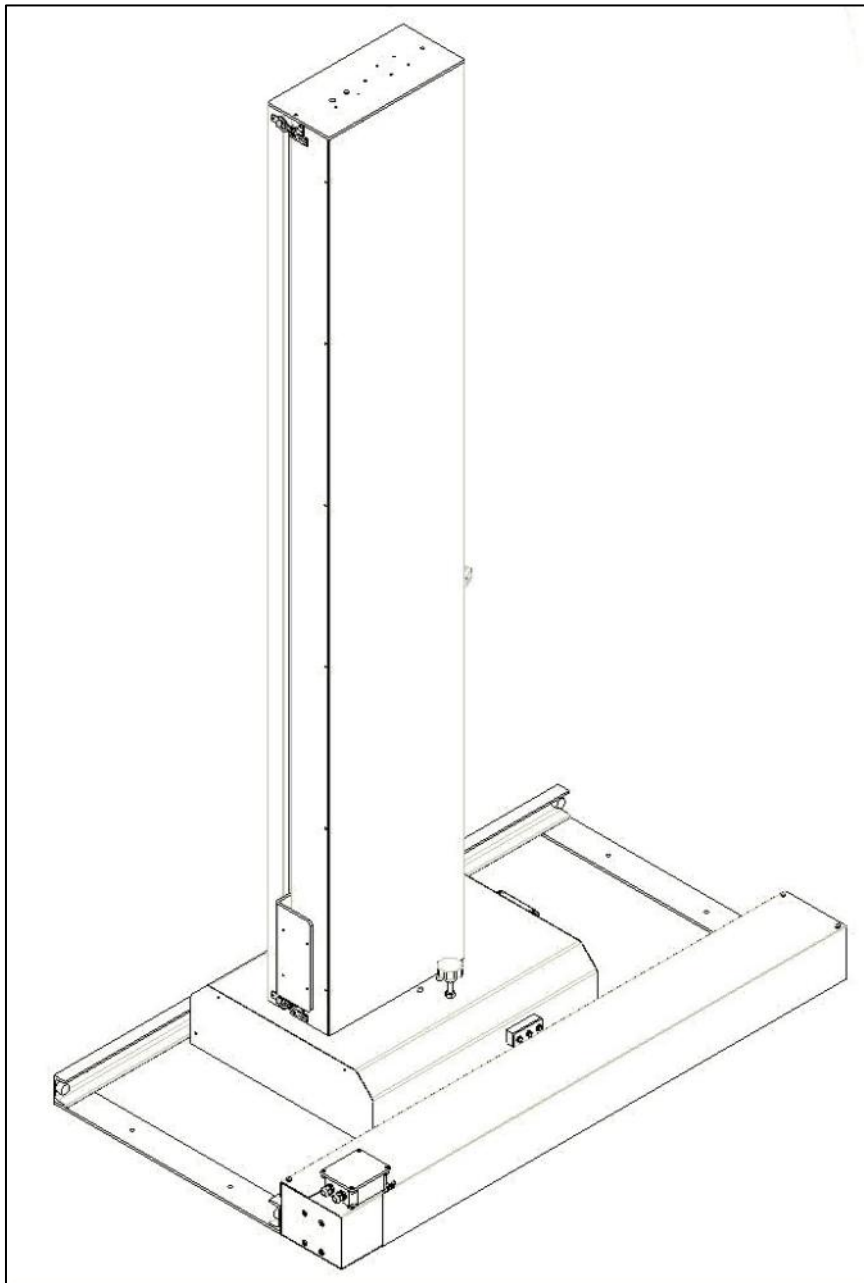
17.1 Kit handle for manual movement

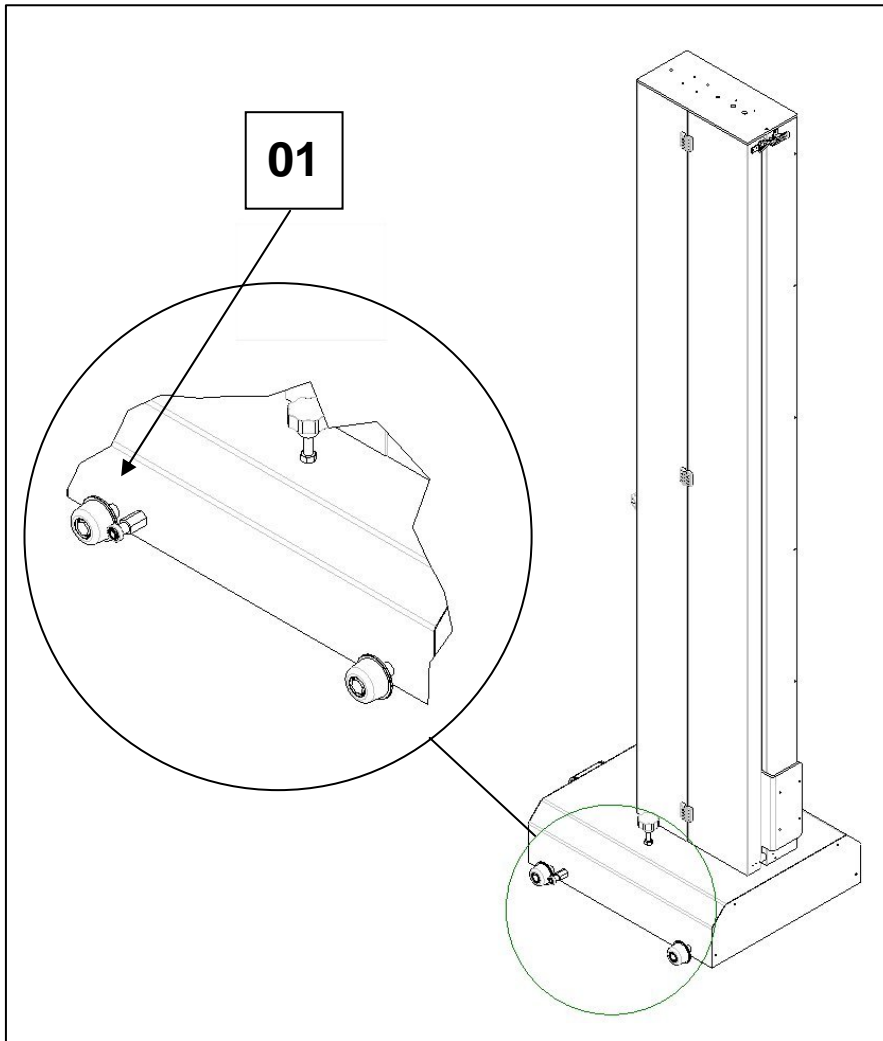




Pos.	Part Number	Description	Qty
01	-	Kit handle for manual moving	1
02	-	Kit rails for manual movement L= 1500 mm	1

17.2 Reciprocator mod. HF30 on z-axis mod. HBF





Pos.	Part Number	Description	Qty
01	-	Kit wheels for z-axis mod. HBF	1

17.3 Spare parts for HF30 ATEX zone 1-II 2 G t3

Part Number	Description
7034334	Toothed belt, HF30 17 (120.1902.17)
7034335	Toothed belt, HF30 22 (120.1902.22)
7034336	Toothed belt, HF30 27 (120.1902.27)
7034337	Toothed belt, HF30 32 (120.1902.32)
7034372	Kit,protection strip,HF30/80 1.7M (500.3006.17)
7034373	Kit,protection strip,HF30/80 2.2M (500.3006.17)
7034374	Kit,protection strip,HF30/80 2.7M (500.3006.17)
7034375	Kit,protection strip,HF30/80 3.2M (500.3006.17)
736178	Limit switch sensor (310.8276)
736296	KIT,2*CONCENTRIC,2*ECCEN WHEELS (500.0001)
7033103	Encoder (if present) (310.8065.01)
736178	Central sensor (if present) (310.8276)
736358	Coupling,sensor encoder,recip (120.0002)
7034320	Gearmotor assy,HF30 (400.0102.01)
7034326	Kit, 2 counterweight guide,HF30 (500.3002)

17.4 Spare parts for HF80 ATEX zone 1-II 2 G t3

Part Number	Description
7034345	Toothed belt, HF80 17 (120.1904.17)
7034346	Toothed belt, HF80 22 (120.1904.22)
7034347	Toothed belt, HF80 27 (120.1904.27)
7034348	Toothed belt, HF80 32 (120.1904.32)
7034372	Kit,protection strip,HF30/80 1.7M (500.3006.17)
7034373	Kit,protection strip,HF30/80 2.2M (500.3006.17)
7034374	Kit,protection strip,HF30/80 2.7M (500.3006.17)
7034375	Kit,protection strip,HF30/80 3.2M (500.3006.17)
736178	Limit switch sensor (310.8276)
736177	Kit sliding blocks (1 concentric block + 1 eccentric block) (500.0004)
7033103	Encoder (310.8065.01)
736358	Coupling,sensor encoder,recip (120.0002)
7034320	Gearmotor assy,HF30 (400.0102.01)
7034350	Kit, 2 counterweight guide,HF30 (500.3003)

